

by winsa

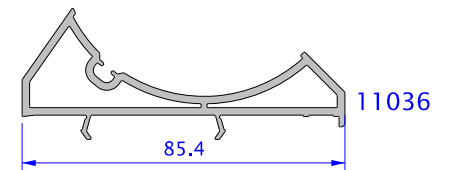
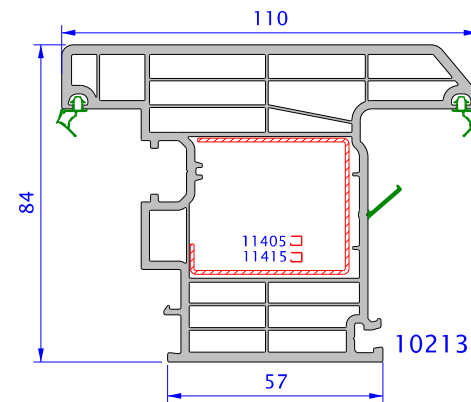
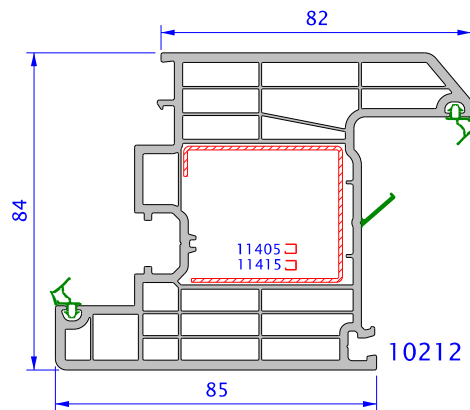
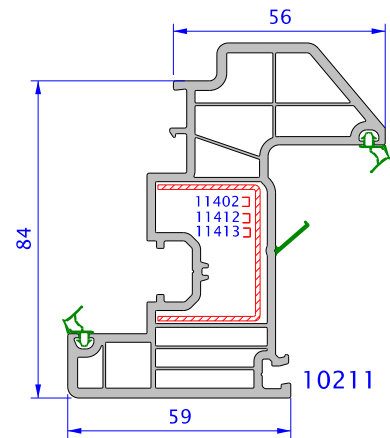
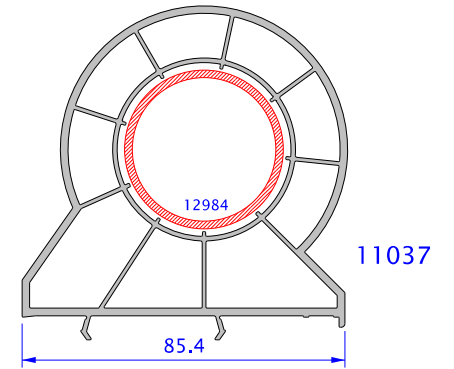
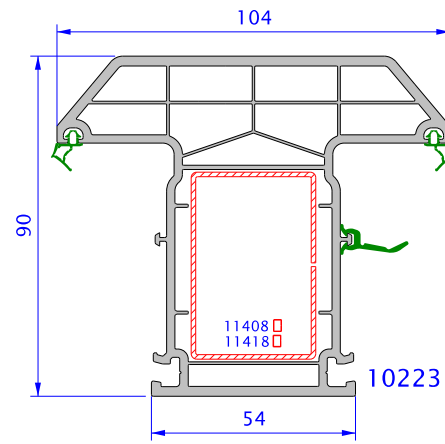
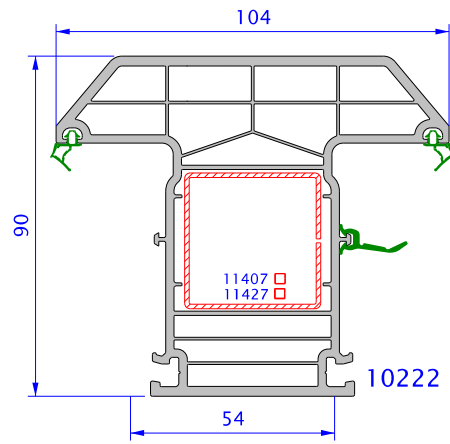
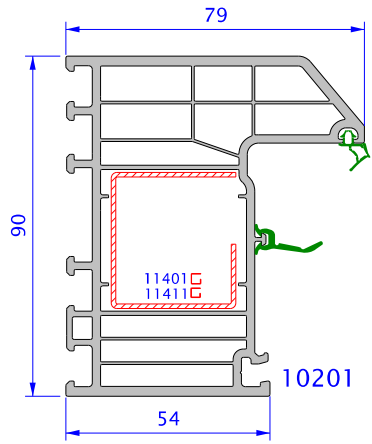
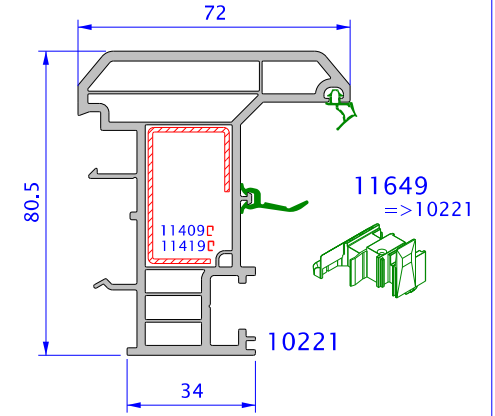
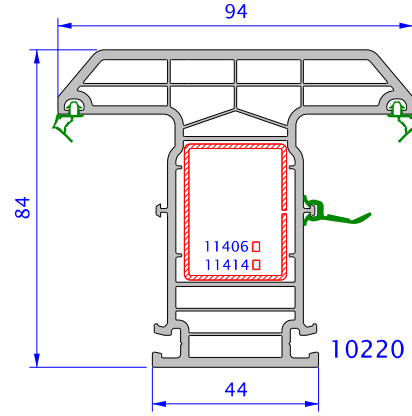
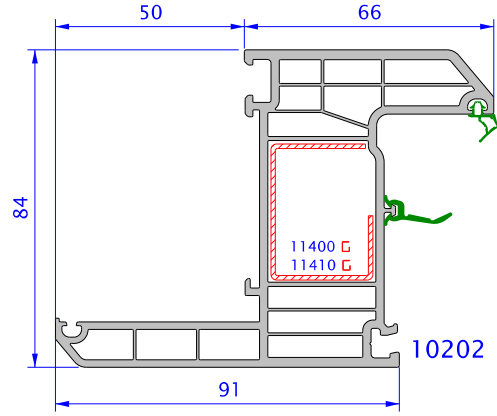
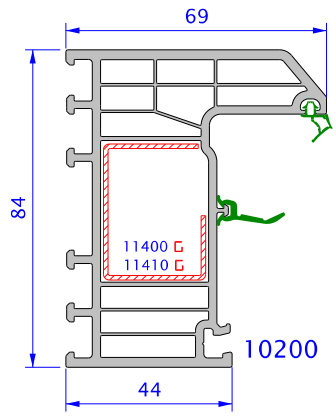
# Revotech

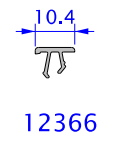
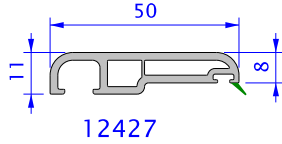
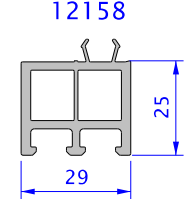
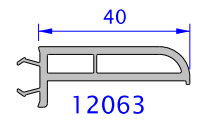
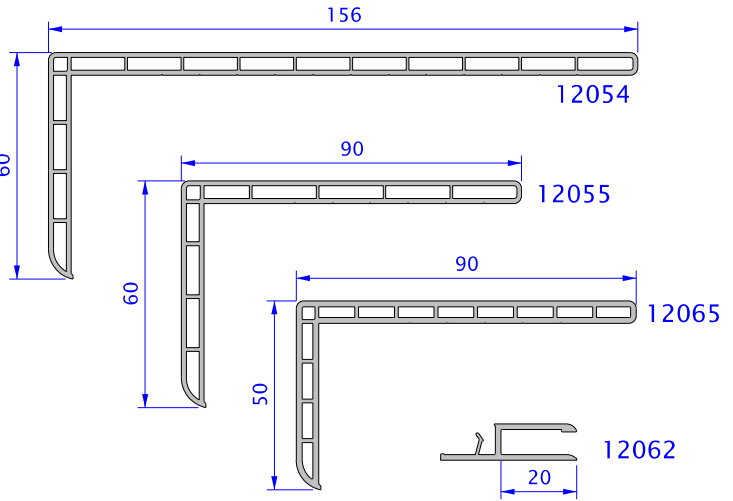
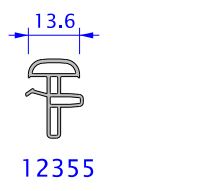
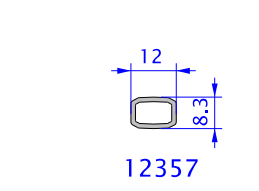
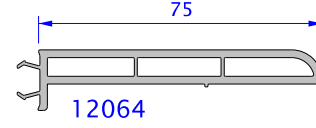
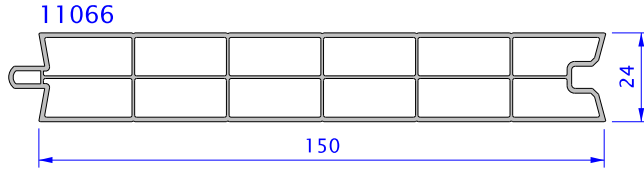
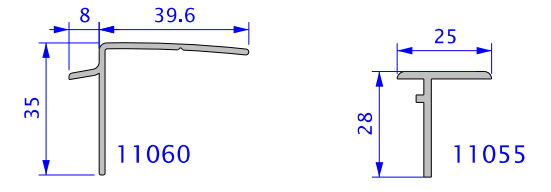
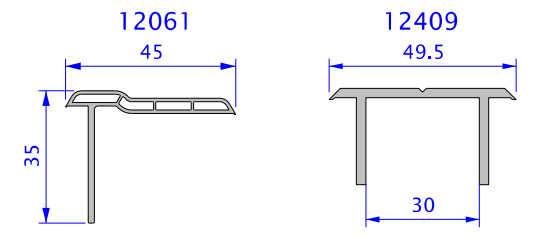
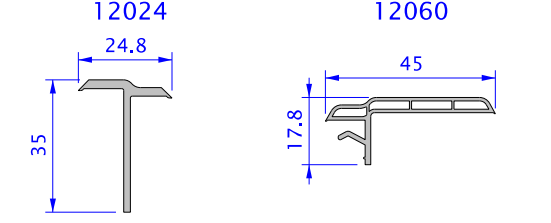
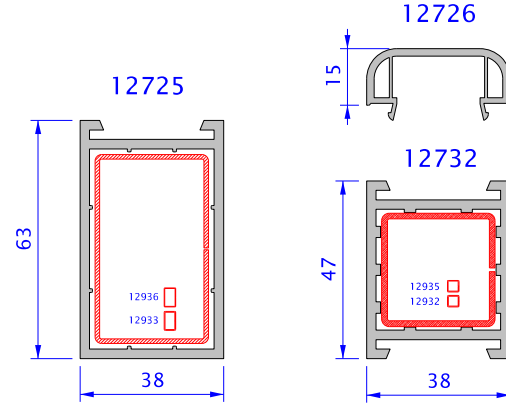
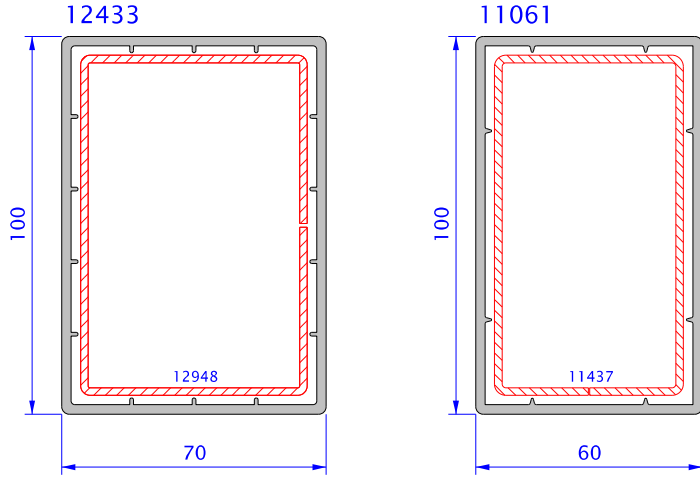
REVOLUTION IN WINDOW TECHNOLOGY

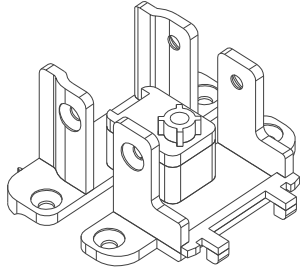
# TEKNİK KATALOG

sayfa no

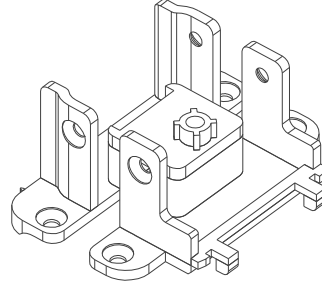
Sistem Tanıtımı	1.1 – 1.3
Ana Profiller	2.1 – 2.12
Yardımcı Profiller & Malzemeler	2.13 – 2.17
Kesitler	3.1 – 3.40



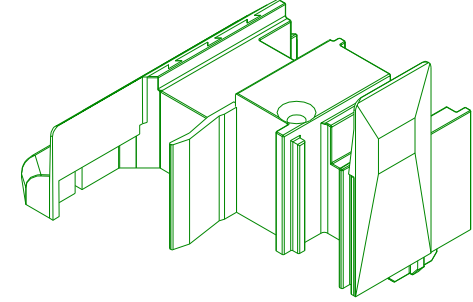




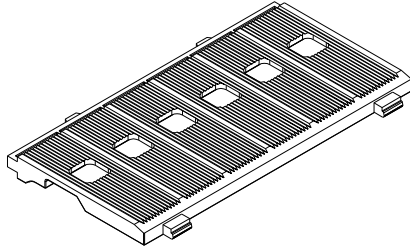
10547  
=> 10220



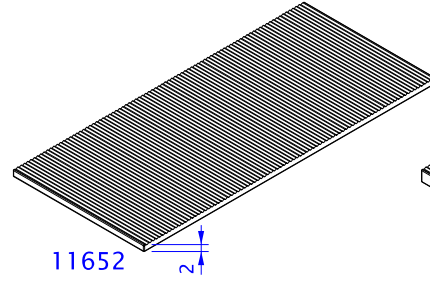
10548  
=> 10222/10223



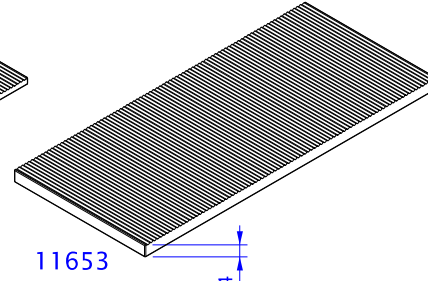
11649  
=>10221



11651



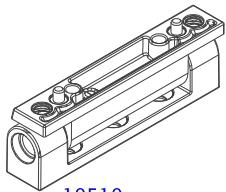
11652



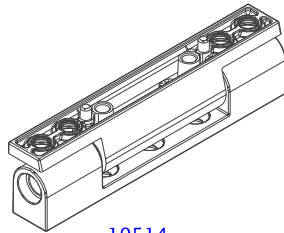
11653



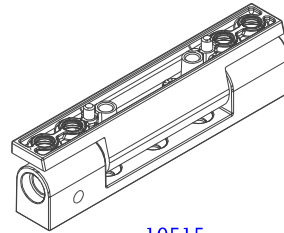
10576



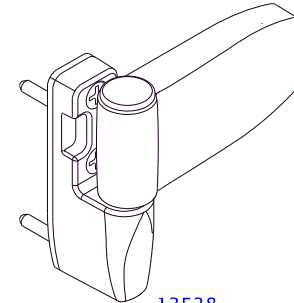
10510



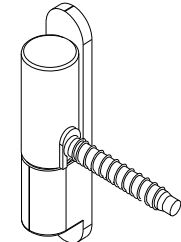
10514



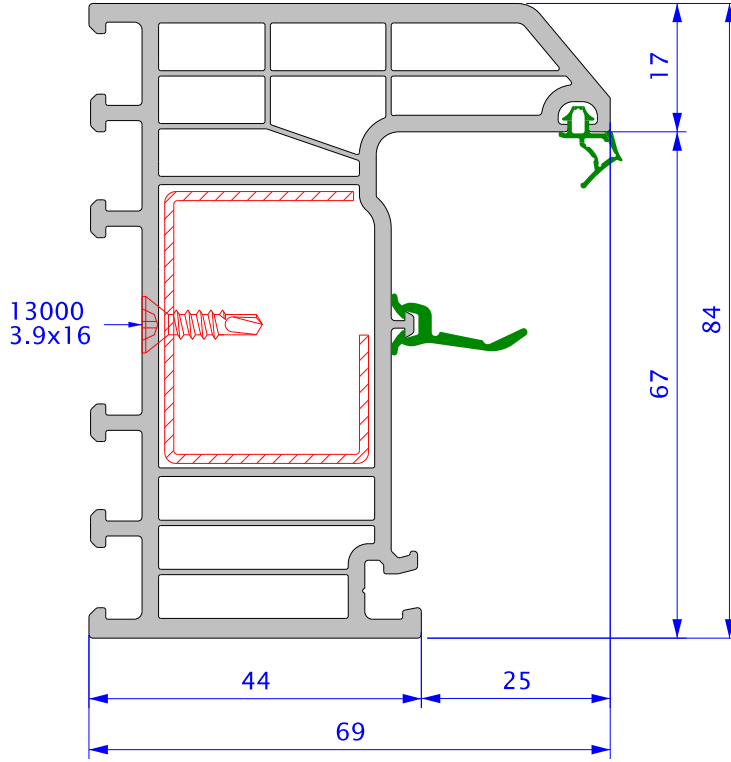
10515



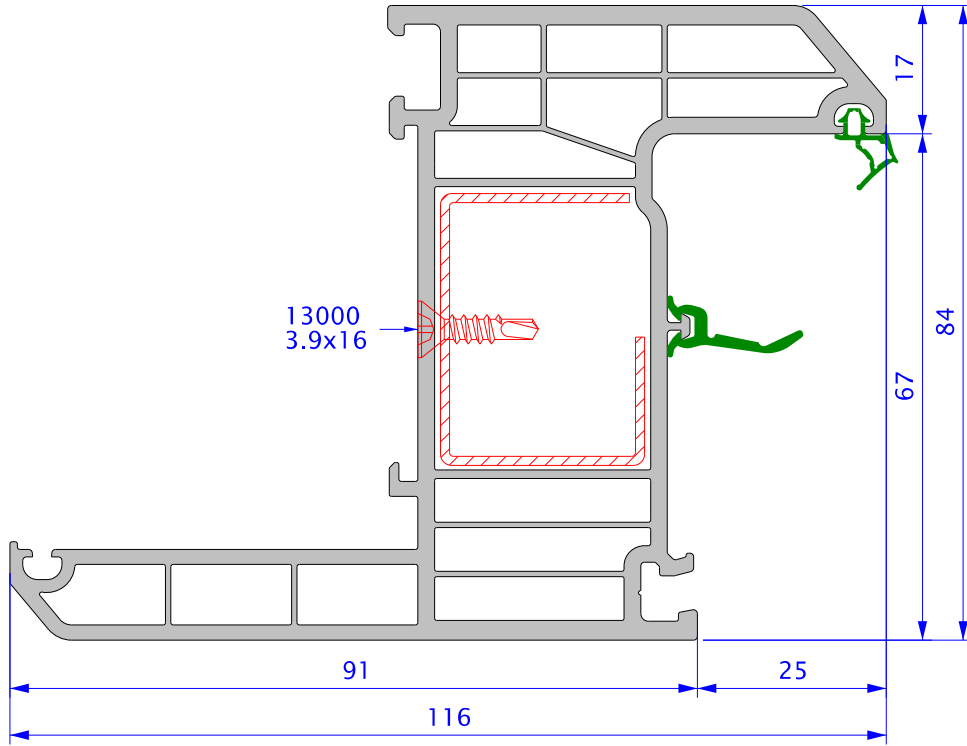
13538



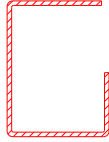
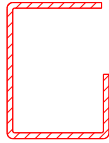
10511

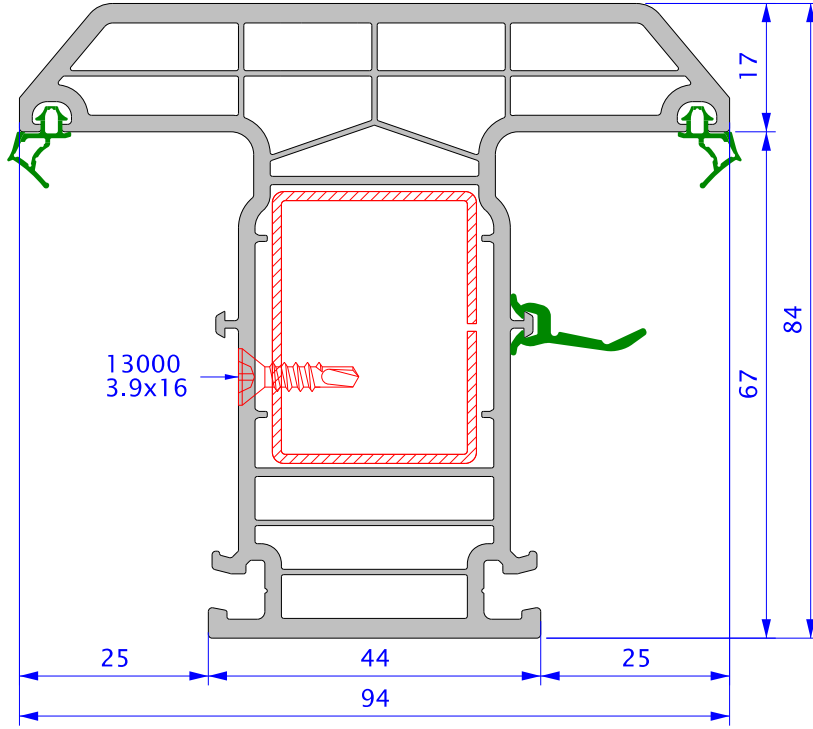


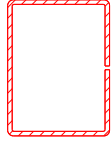
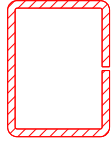
Destek Sacı	s (mm)	Ix (cm <sup>4</sup> )	Iy (cm <sup>4</sup> )
11400 25x36x27x17	1.2	2.38	1.24
11410 25x36x27x17	1.5	2.91	1.51



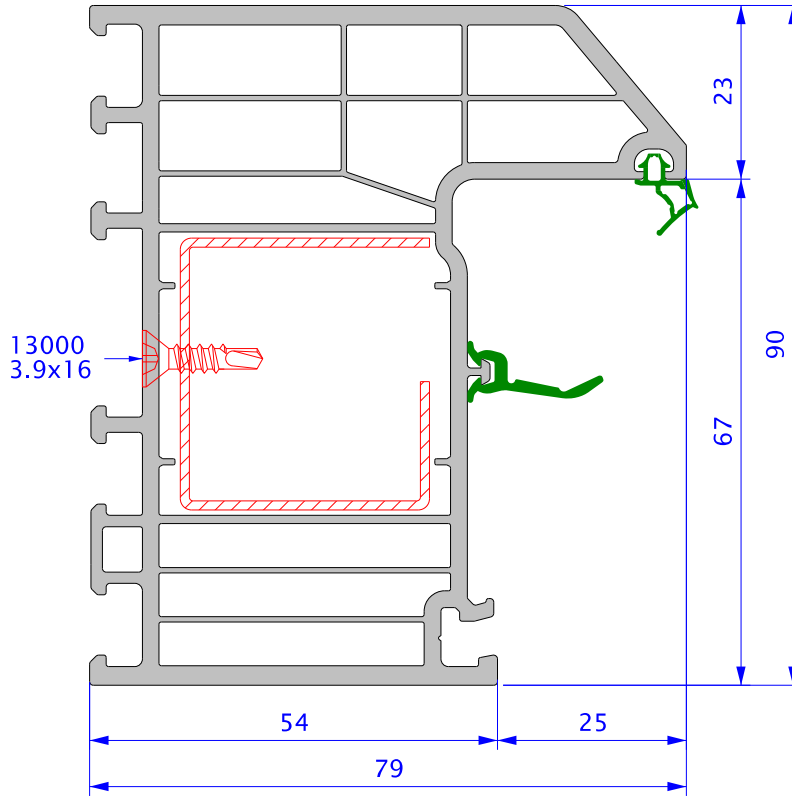
10202	
Ix (cm <sup>4</sup> )	Iy (cm <sup>4</sup> )
111.62	81.46

Destek Sacı		s (mm)	Ix (cm <sup>4</sup> )	Iy (cm <sup>4</sup> )
11400 25x36x27x17		1.2	2.38	1.24
11410 25x36x27x17		1.5	2.91	1.51



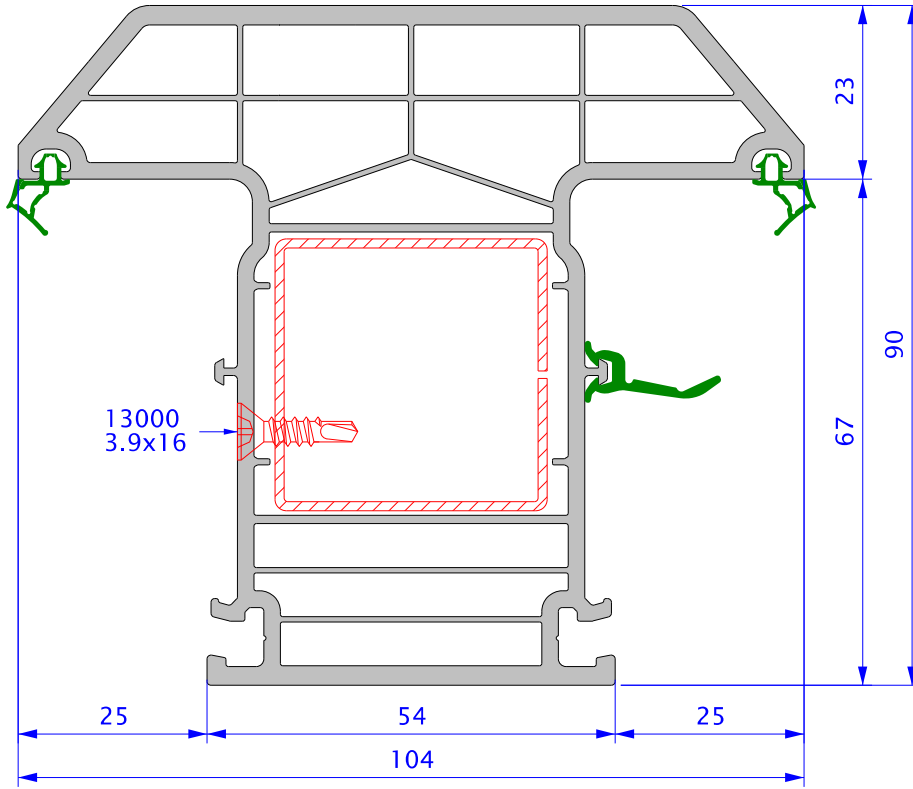
Destek Sacı		s (mm)	Ix (cm <sup>4</sup> )	Iy (cm <sup>4</sup> )
11406 27x36x1.2		1.2	2.66	1.68
11414 27x36x2		2	4.06	2.54



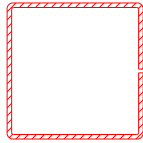
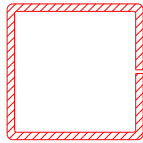


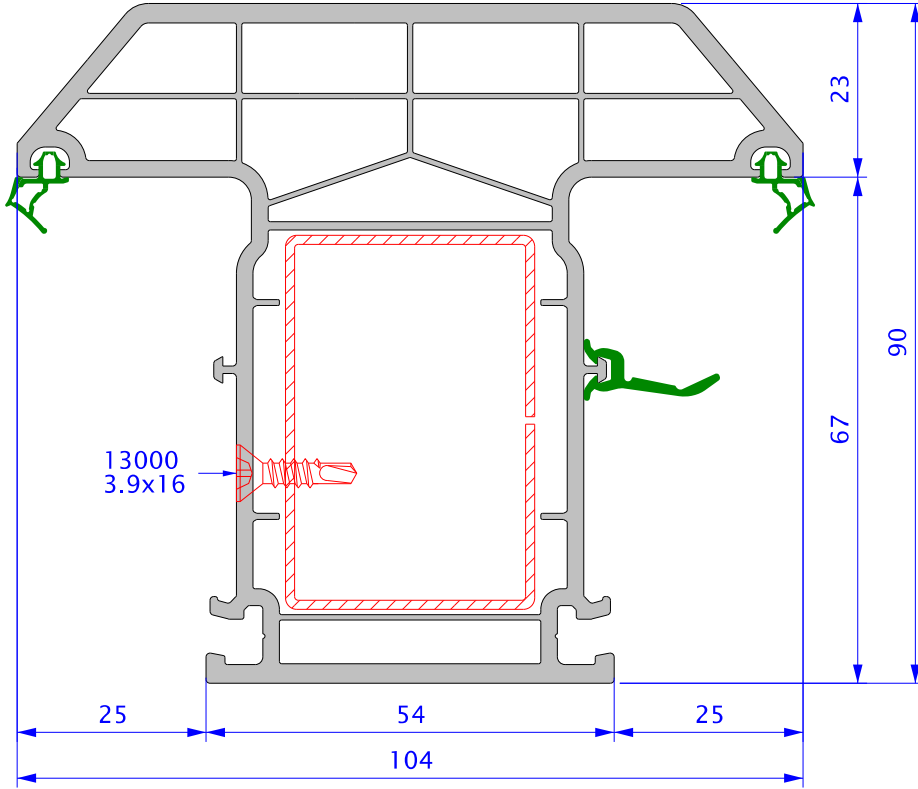
10201	
Ix (cm <sup>4</sup> )	Iy (cm <sup>4</sup> )
112.43	54.60

Destek Sacı		s (mm)	Ix (cm <sup>4</sup> )	Iy (cm <sup>4</sup> )
11401 17x33x36		1.2	2.91	2.10
11411 17x33x36		1.5	3.56	2.57



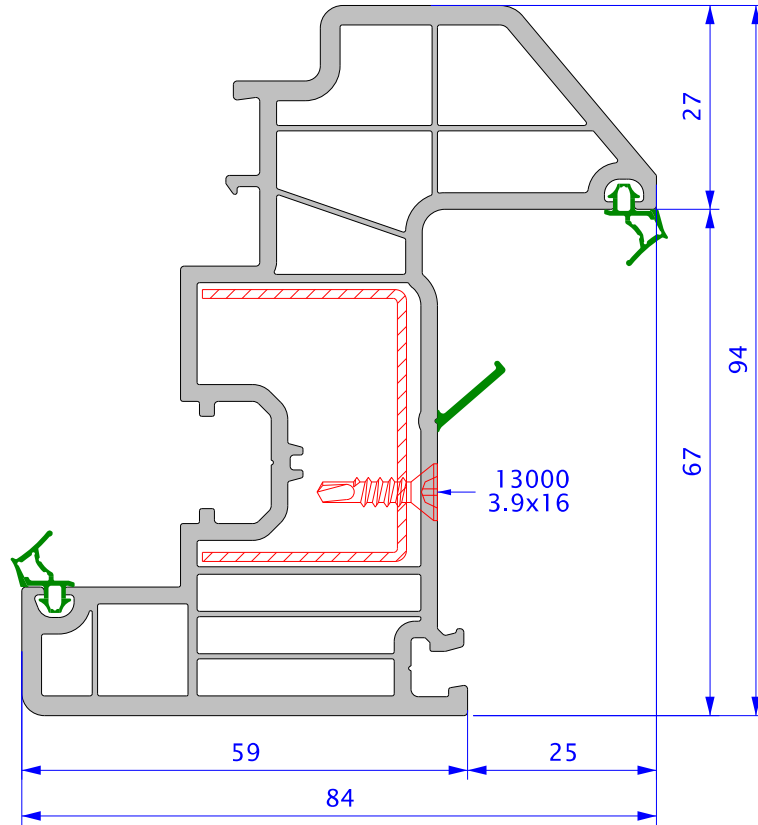
10222	
Ix (cm <sup>4</sup> )	Iy (cm <sup>4</sup> )
120.54	79.70

Destek Sacı		s (mm)	Ix (cm <sup>4</sup> )	Iy (cm <sup>4</sup> )
11407 36x36		1.2	3.32	3.28
11427 36x36		2	5.20	5.14



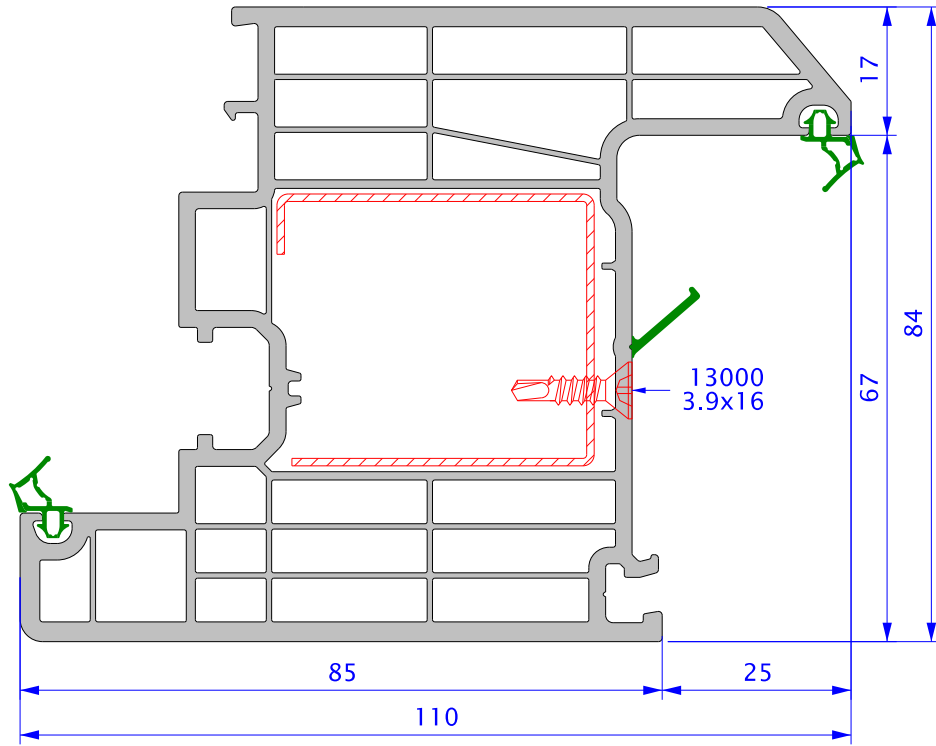
10223	
Ix (cm <sup>4</sup> )	Iy (cm <sup>4</sup> )
112.83	78.76

Destek Sacı		s (mm)	Ix (cm <sup>4</sup> )	Iy (cm <sup>4</sup> )
11408 33x49.5		1.2	6.60	3.50
11418 33x49.5		2	10.48	5.48


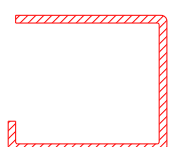


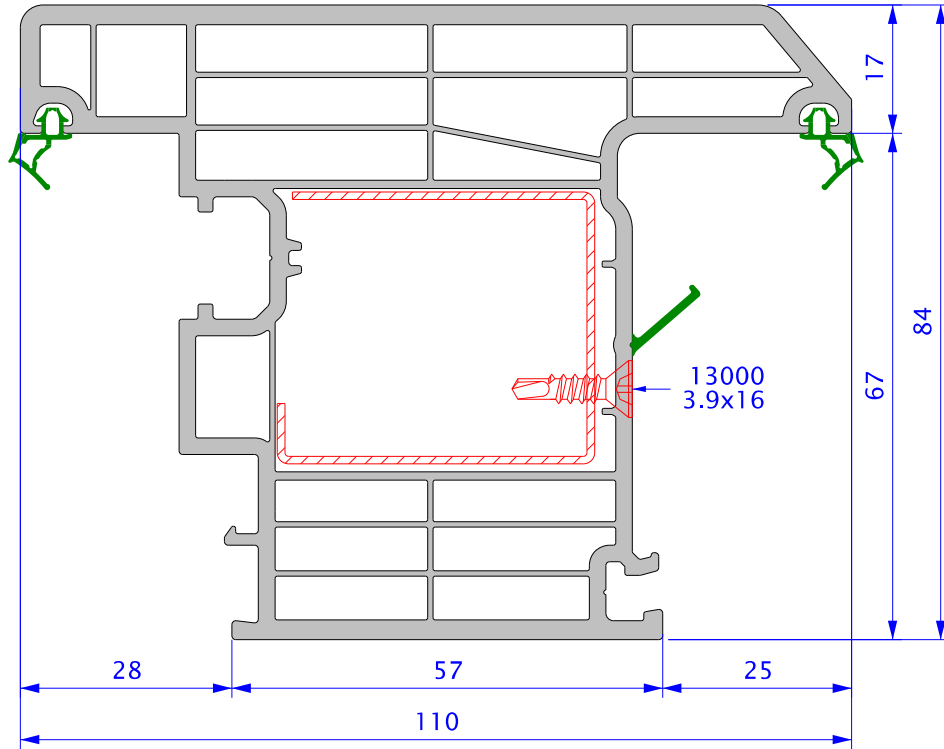
10211	
Ix (cm <sup>4</sup> )	Iy (cm <sup>4</sup> )
106.44	42.40

Destek Sacı		s (mm)	Ix (cm <sup>4</sup> )	Iy (cm <sup>4</sup> )
11402 27x36		1.2	2.31	0.80
11412 27x36		1.5	2.83	0.98
11413 27x36		2	3.64	1.28


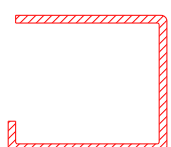


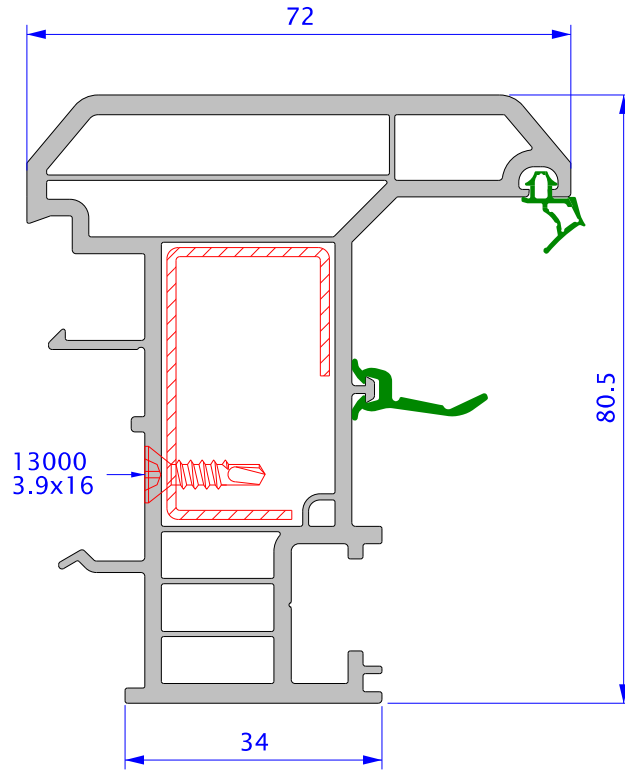
10212	
Ix (cm <sup>4</sup> )	Iy (cm <sup>4</sup> )
124.7	105.9

Destek Sacı		s (mm)	Ix (cm <sup>4</sup> )	Iy (cm <sup>4</sup> )
11405 8x40x36		1.2	3.45	3.01
11415 8x40x36		2	5.43	4.78

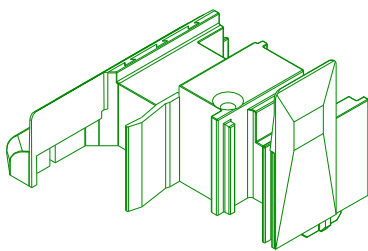


10213	
Ix (cm <sup>4</sup> )	Iy (cm <sup>4</sup> )
116.86	105.36

Destek Sacı		s (mm)	Ix (cm <sup>4</sup> )	Iy (cm <sup>4</sup> )
11405 8x40x36		1.2	3.45	3.01
11415 8x40x36		2	5.43	4.78



Kanat Adaptör Kapak



11649  
=>10221

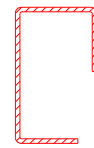
Destek Sacı

s  
(mm)

Ix  
(cm<sup>4</sup>)

Iy  
(cm<sup>4</sup>)

11409  
17x21.5x36x16



1.2

1.84

0.68

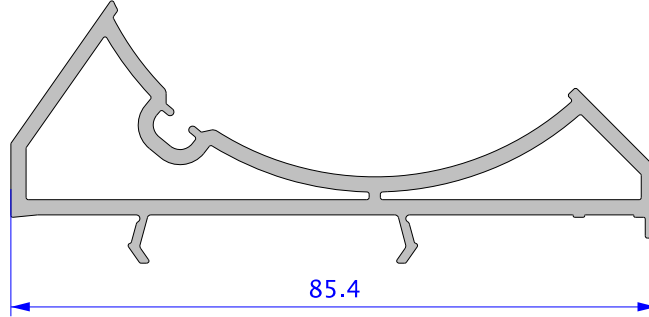
11419  
17x21.5x36x16



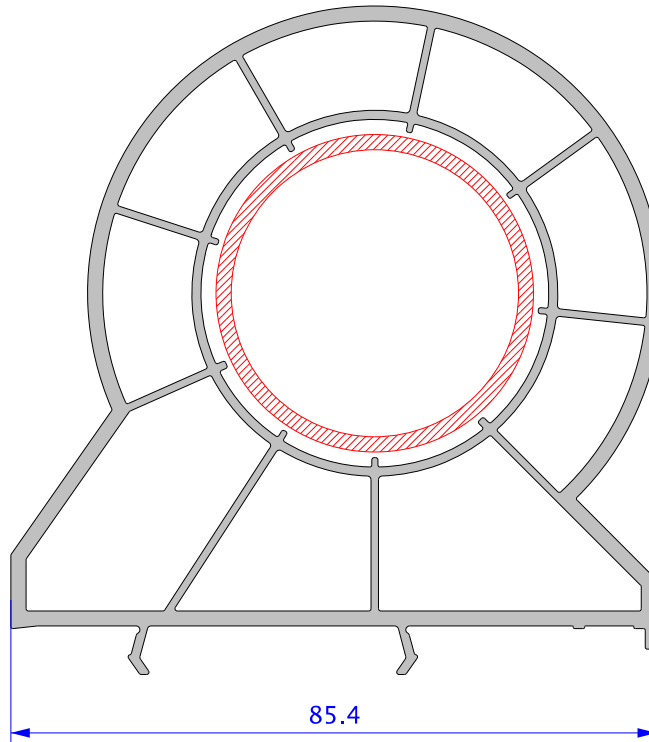
2

2.87

1.04



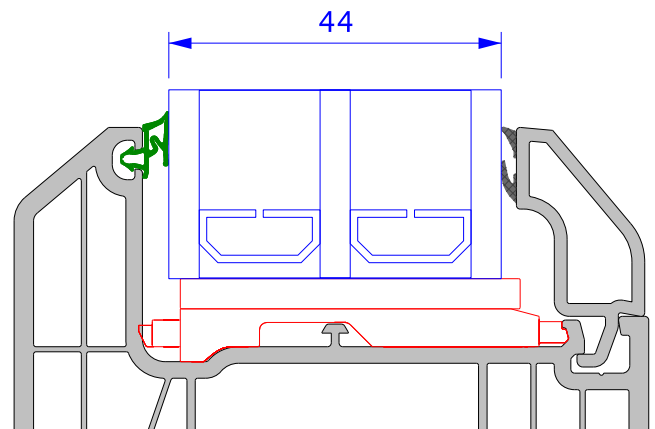
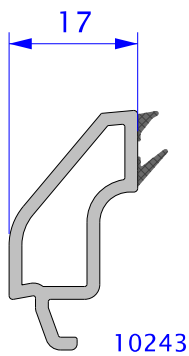
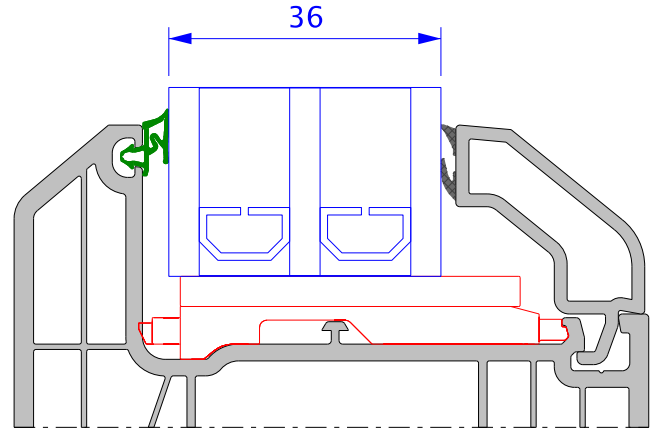
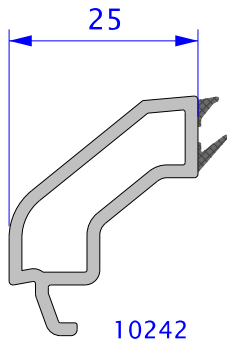
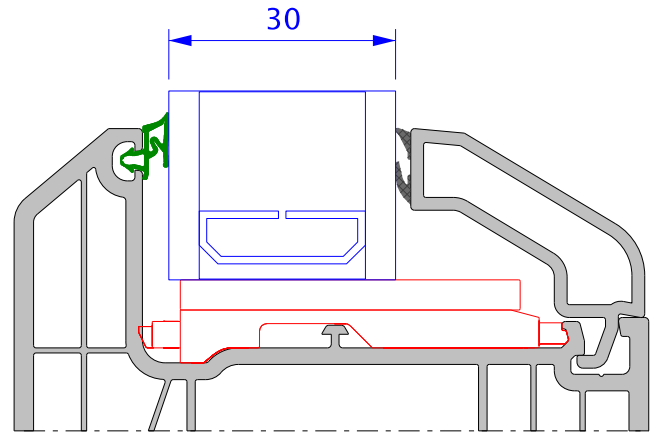
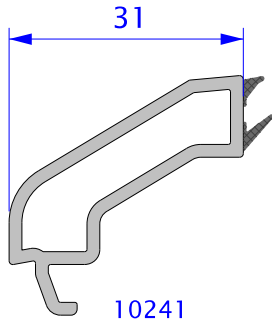
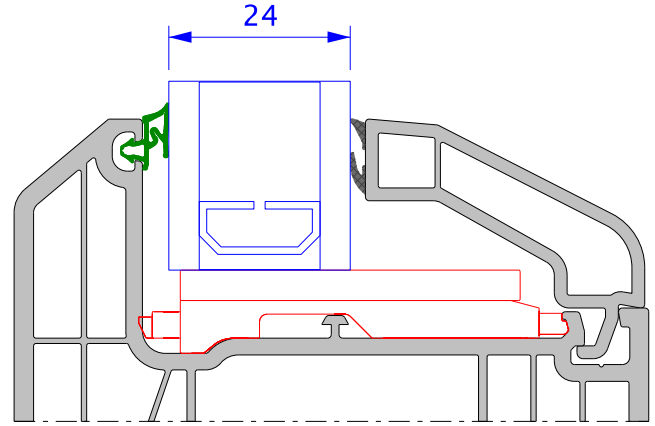
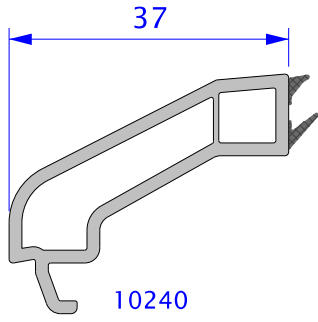
11036	
Ix (cm <sup>4</sup> )	Iy (cm <sup>4</sup> )
2.14	31.09



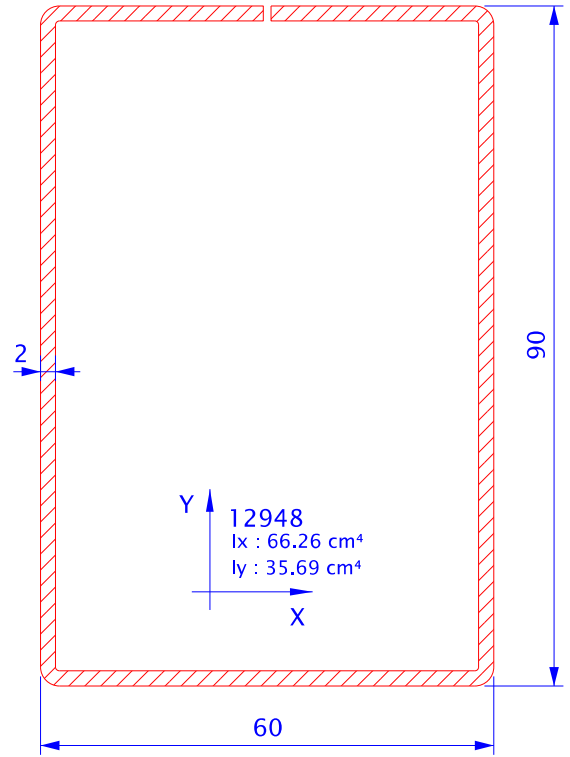
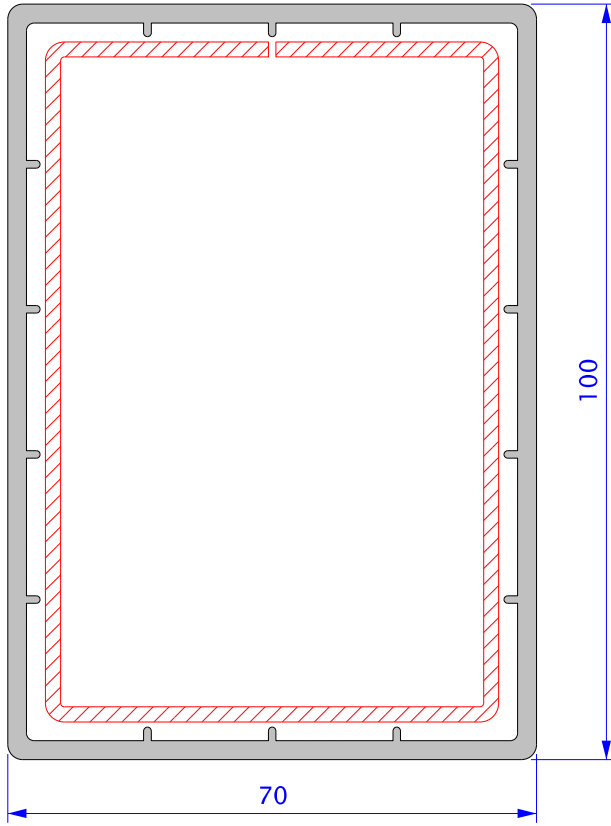
11037	
Ix (cm <sup>4</sup> )	Iy (cm <sup>4</sup> )
70.43	64.61

Destek Sacı		s (mm)	Ix (cm <sup>4</sup> )	Iy (cm <sup>4</sup> )
12984 Ø 42		2	5.04	5.04

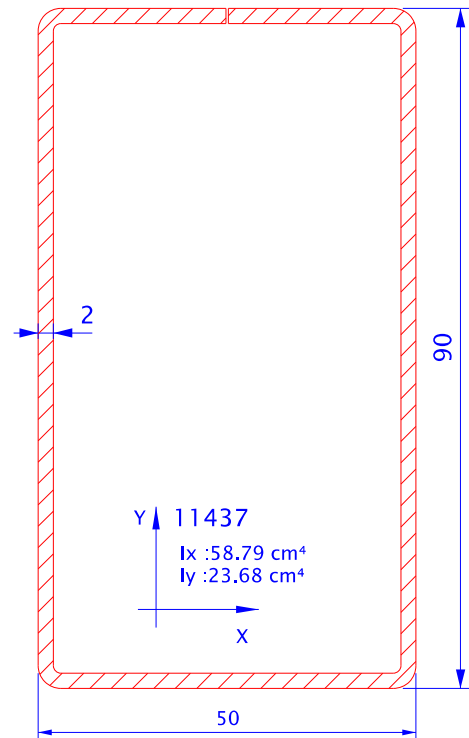
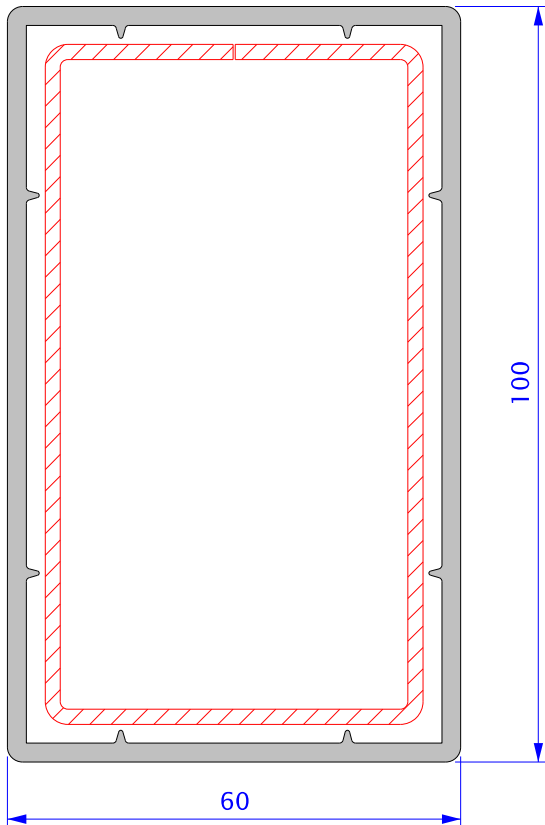




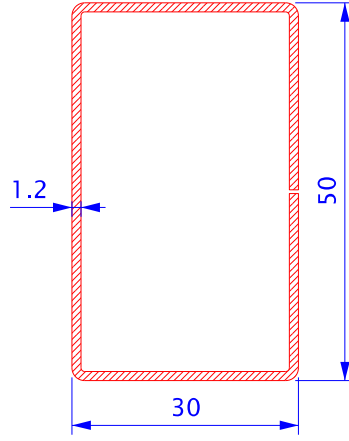
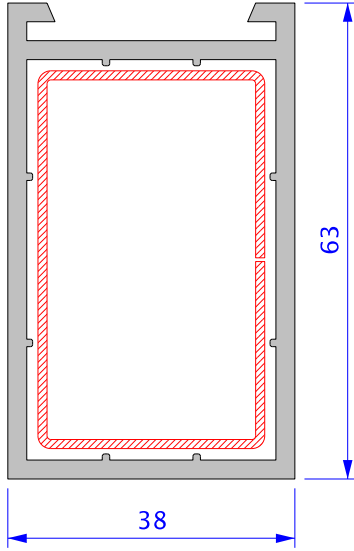
12433



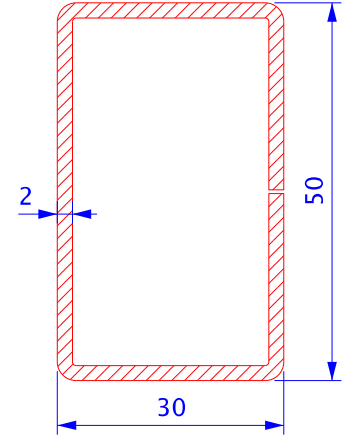
11061



12725

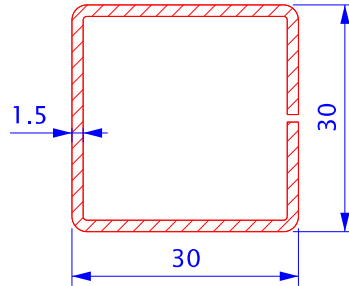
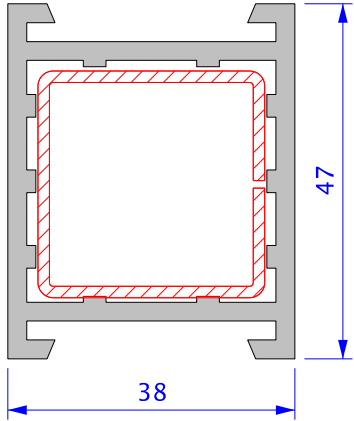


Y  
12936  
Ix : 6.30 cm<sup>4</sup>  
ly : 2.84 cm<sup>4</sup>  
X

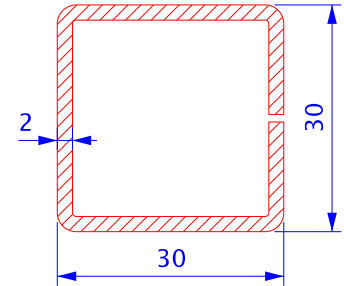


Y  
12933  
Ix : 9.85 cm<sup>4</sup>  
ly : 4.38 cm<sup>4</sup>  
X

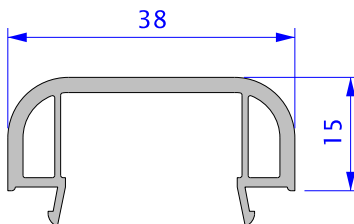
12732



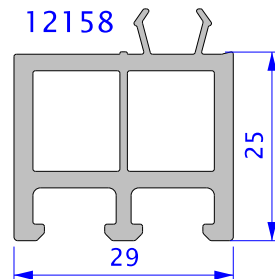
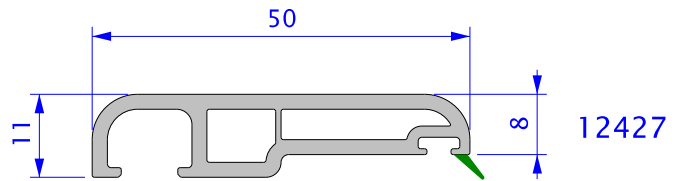
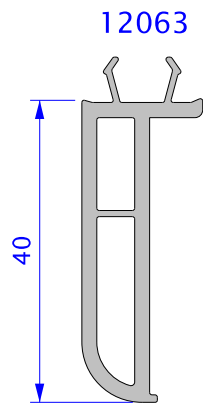
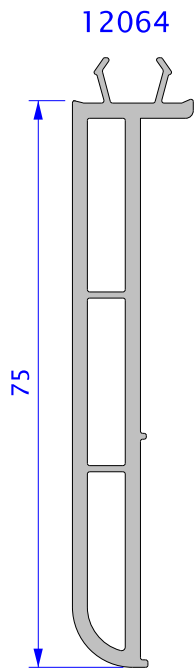
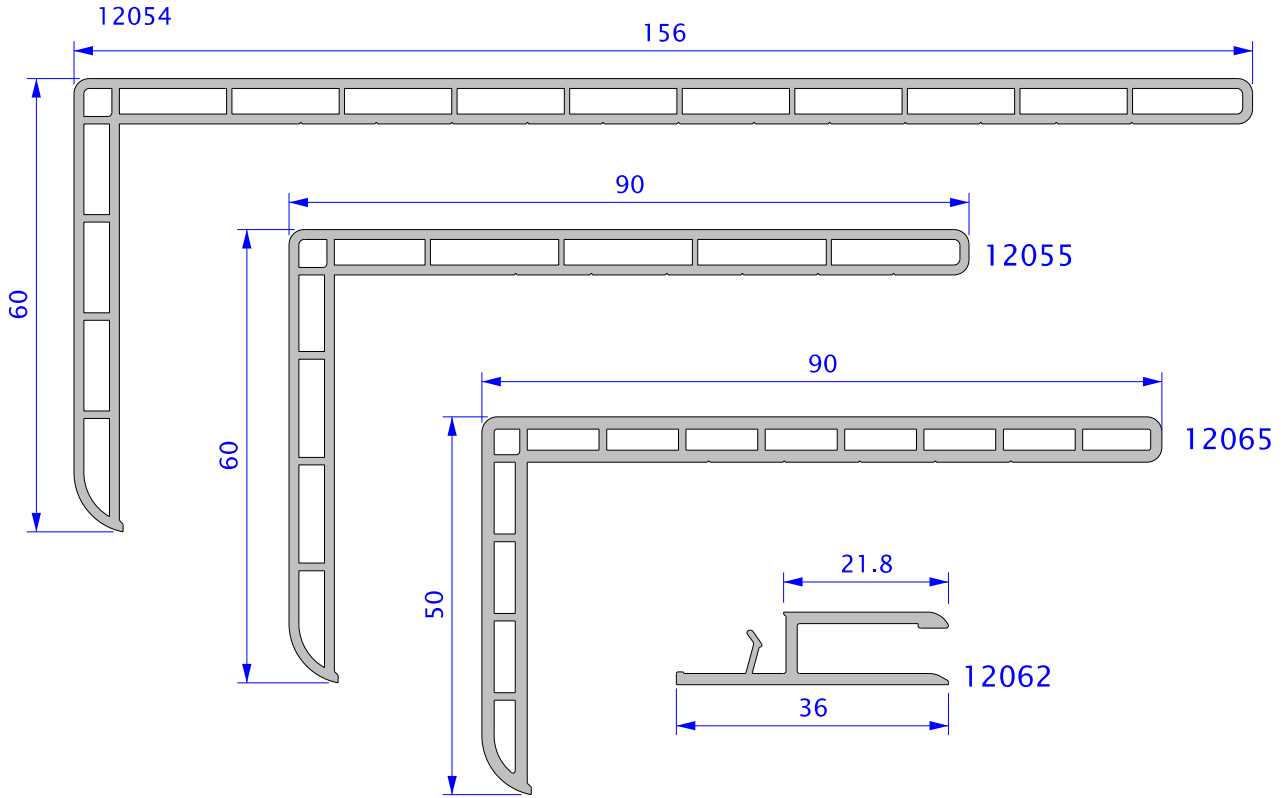
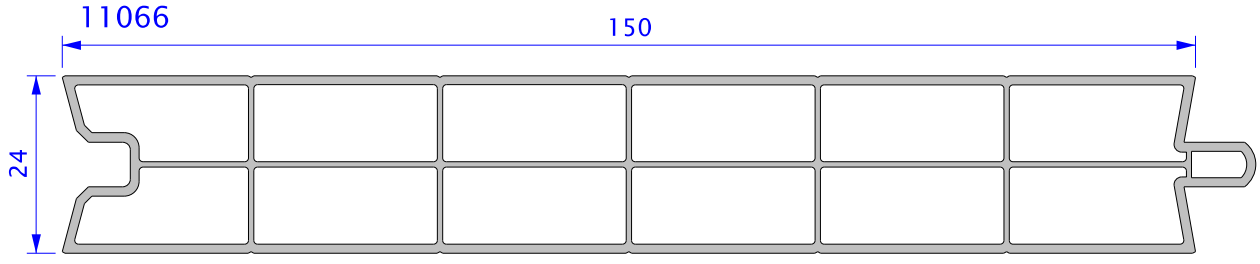
Y  
12935  
Ix : 2.25 cm<sup>4</sup>  
ly : 2.22 cm<sup>4</sup>  
X

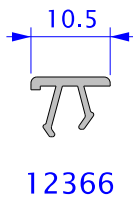
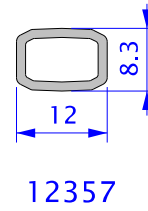
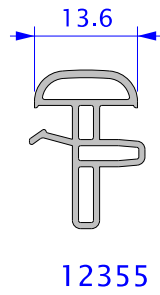
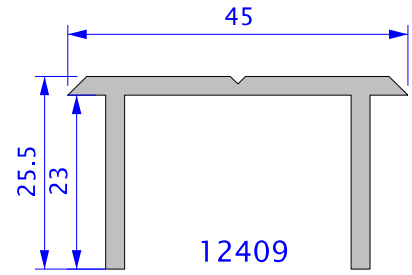
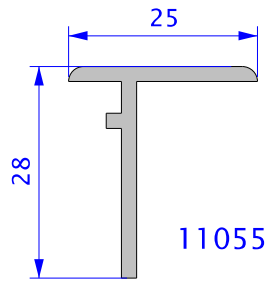
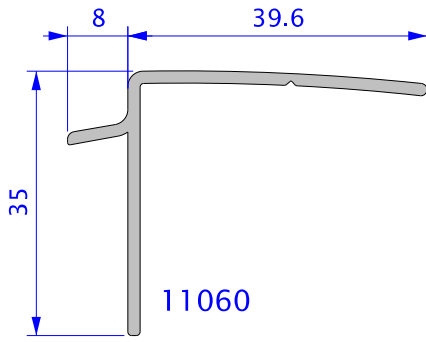
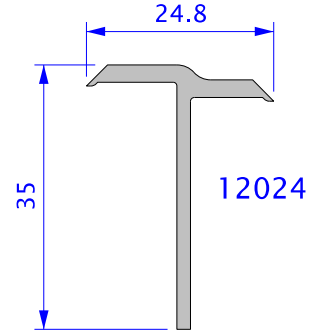
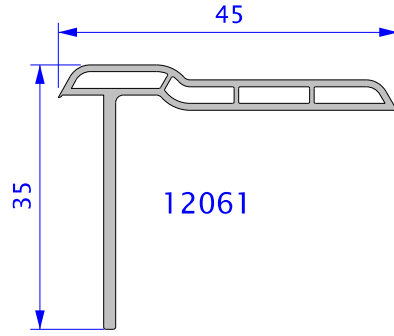
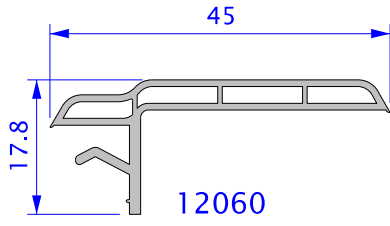


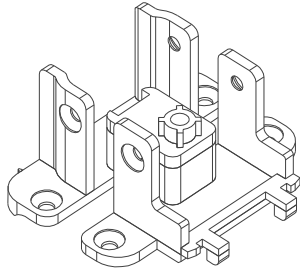
Y  
12932  
Ix : 2.83 cm<sup>4</sup>  
ly : 2.79 cm<sup>4</sup>  
X



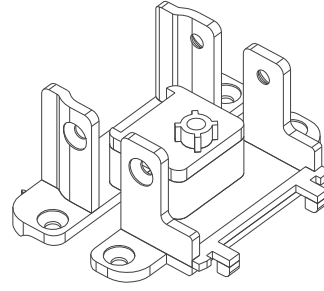
12726



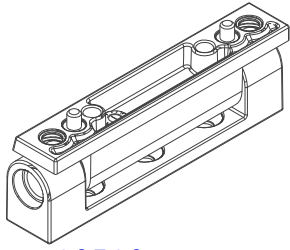




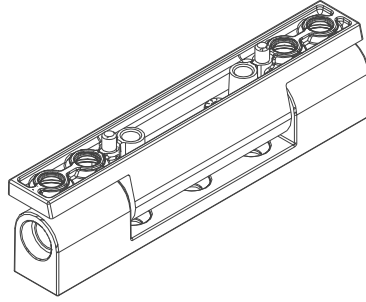
10547  
=> 10220



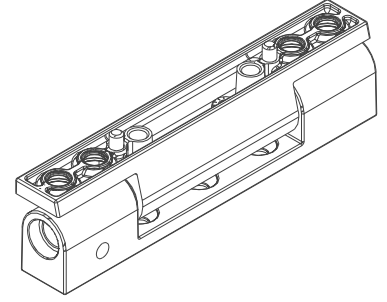
10548  
=> 10222/10223



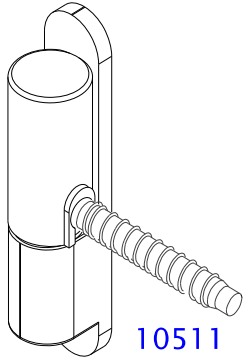
10510



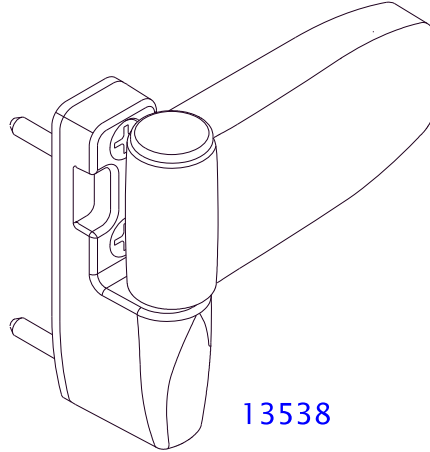
10514



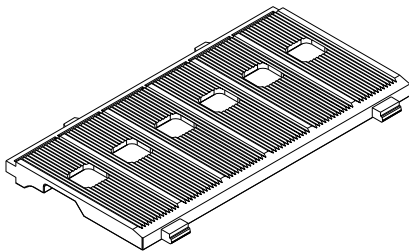
10515



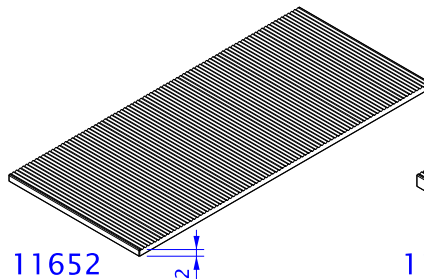
10511



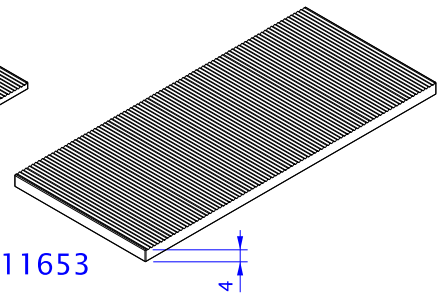
13538



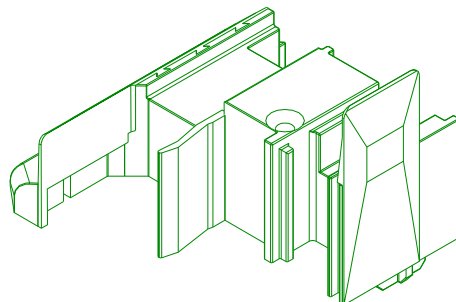
11651



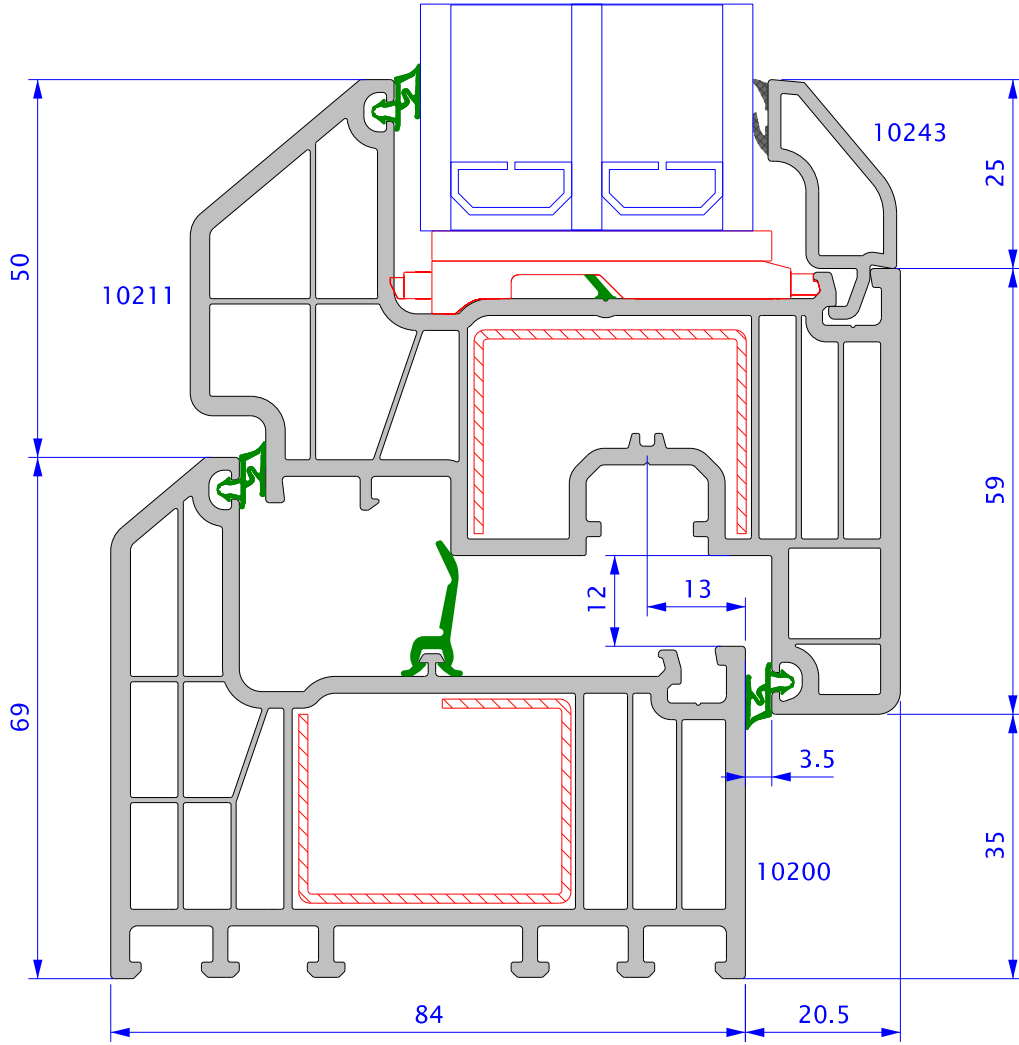
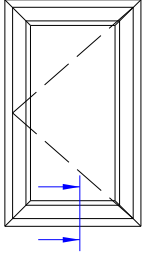
11652

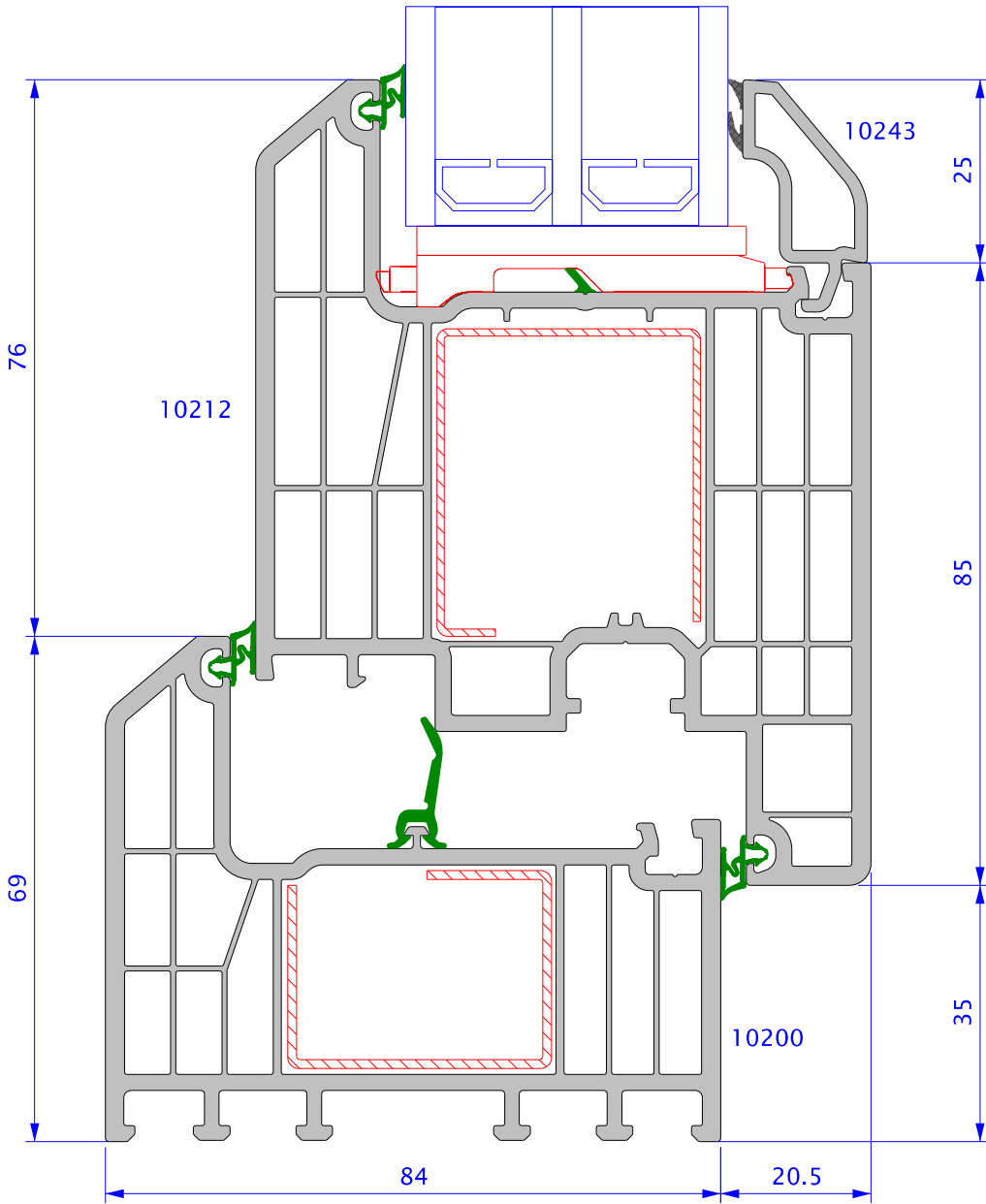
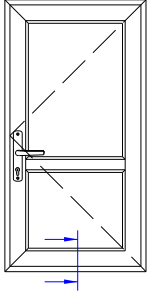


11653

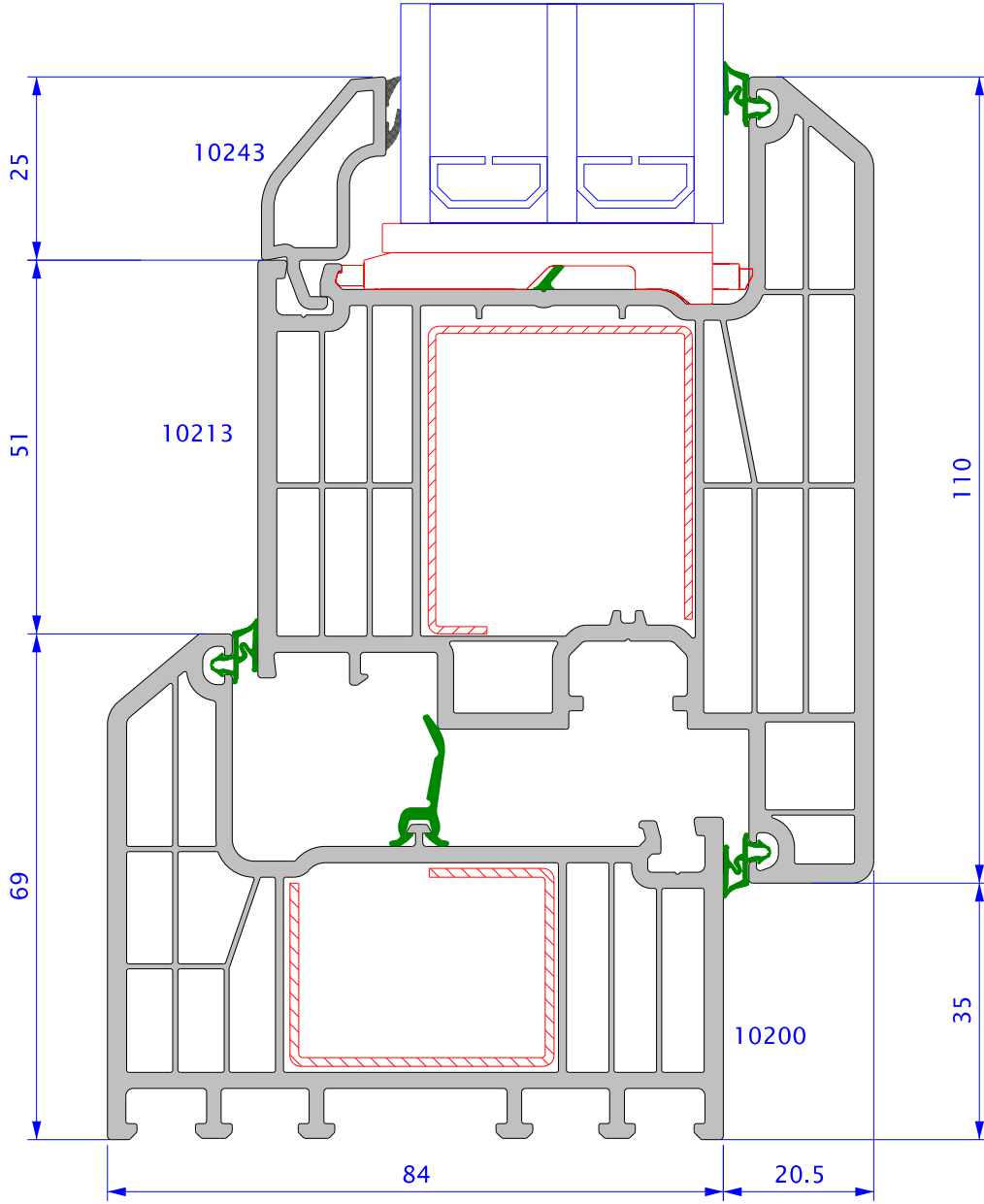
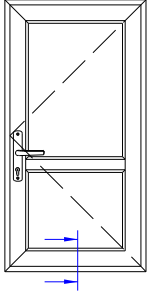


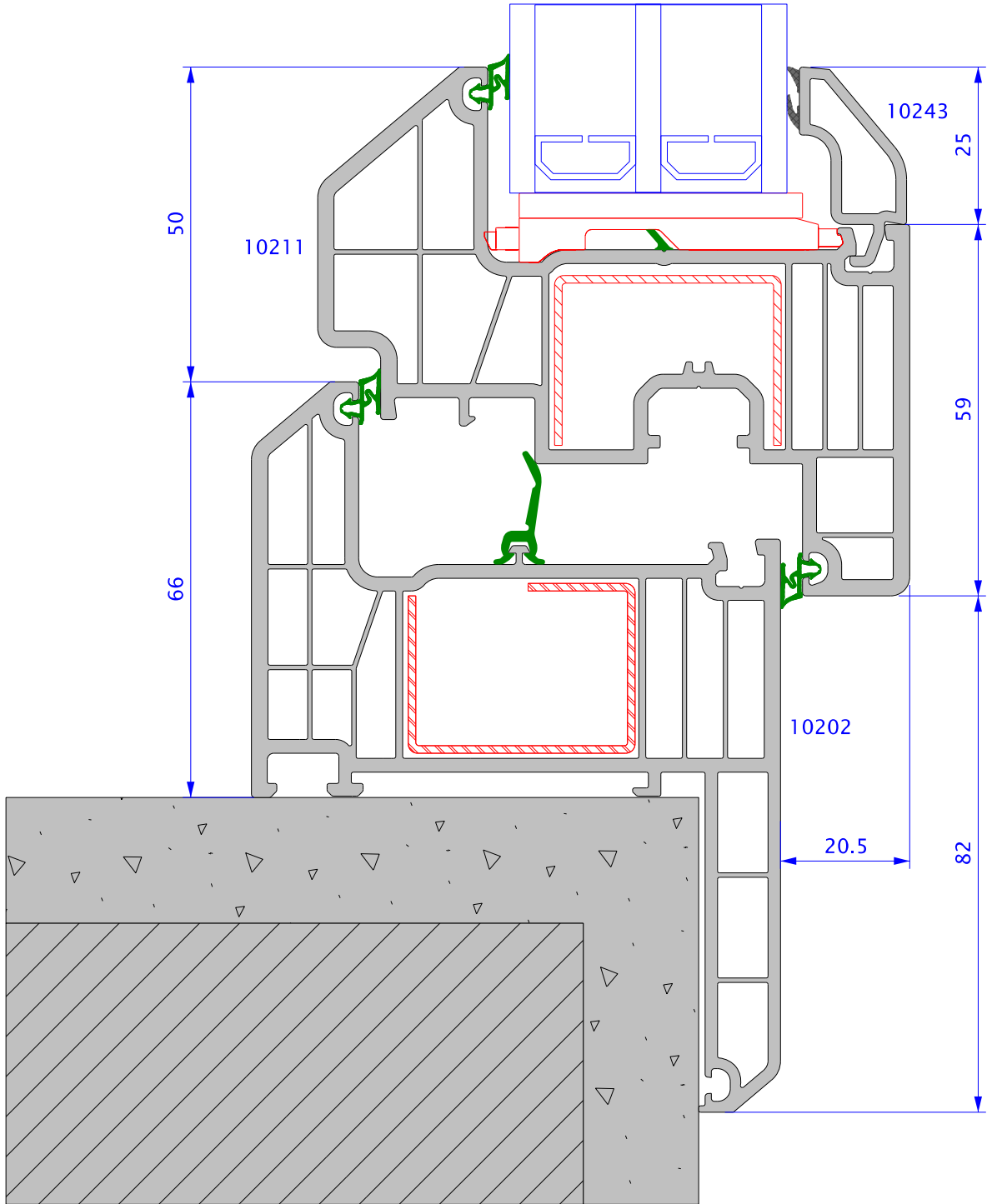
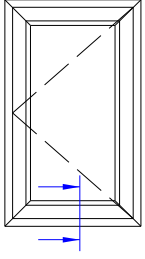
11649  
=>10221

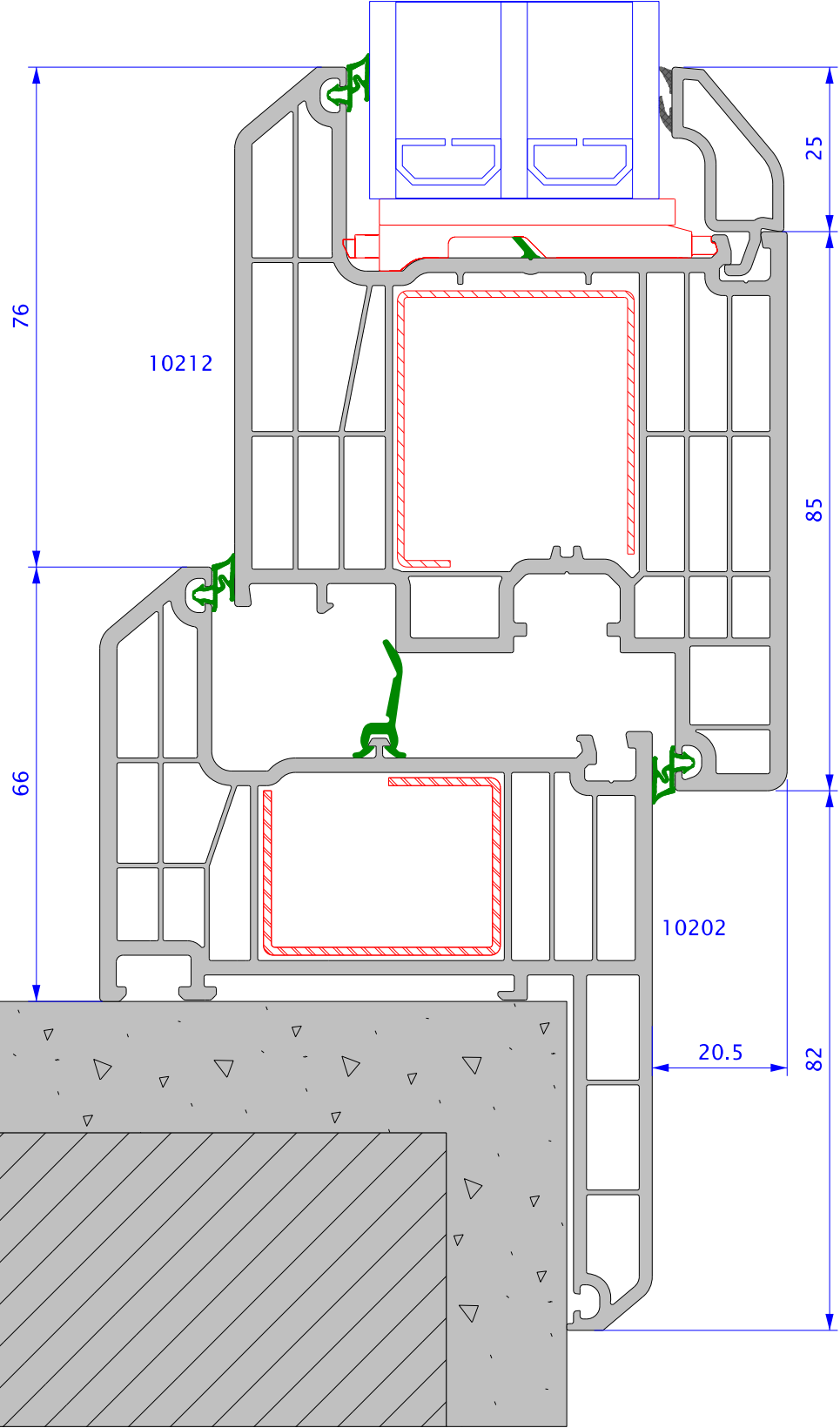
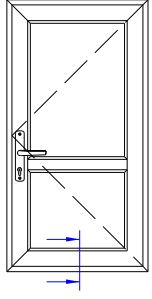


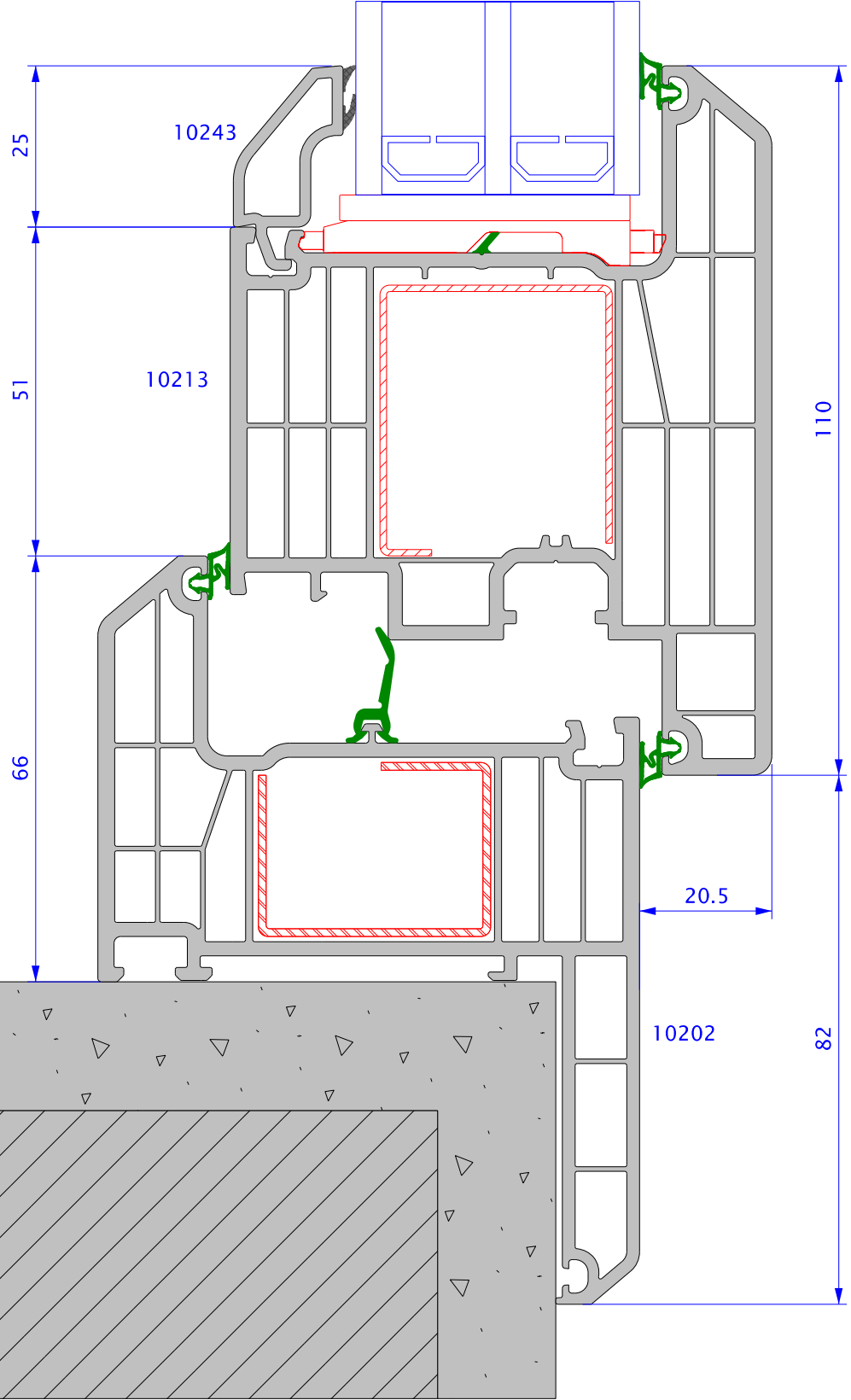
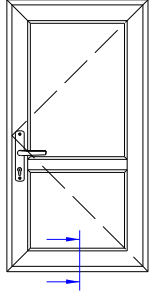


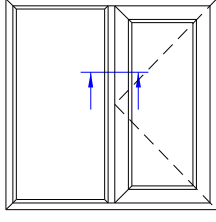


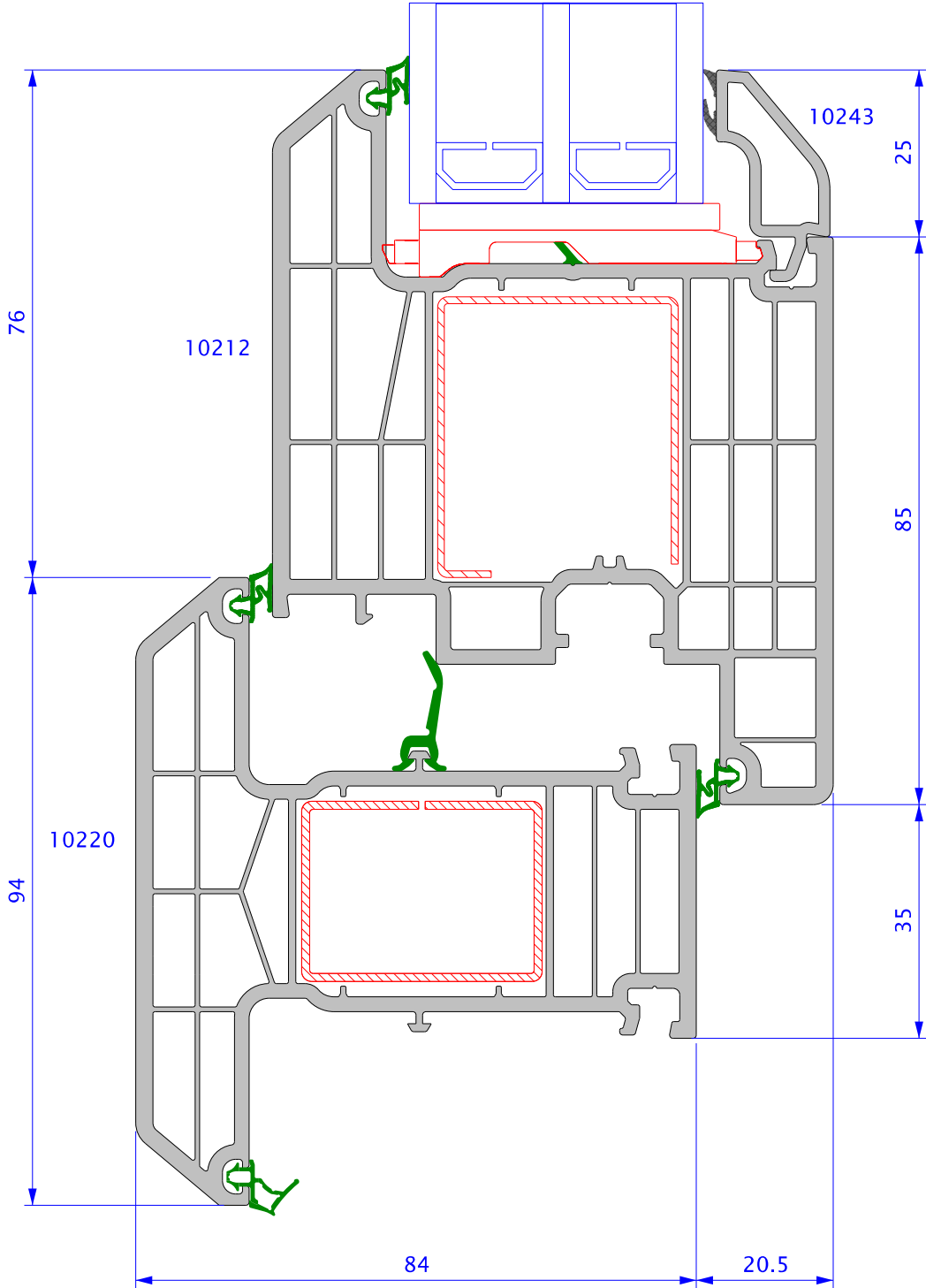
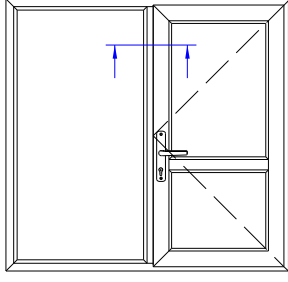


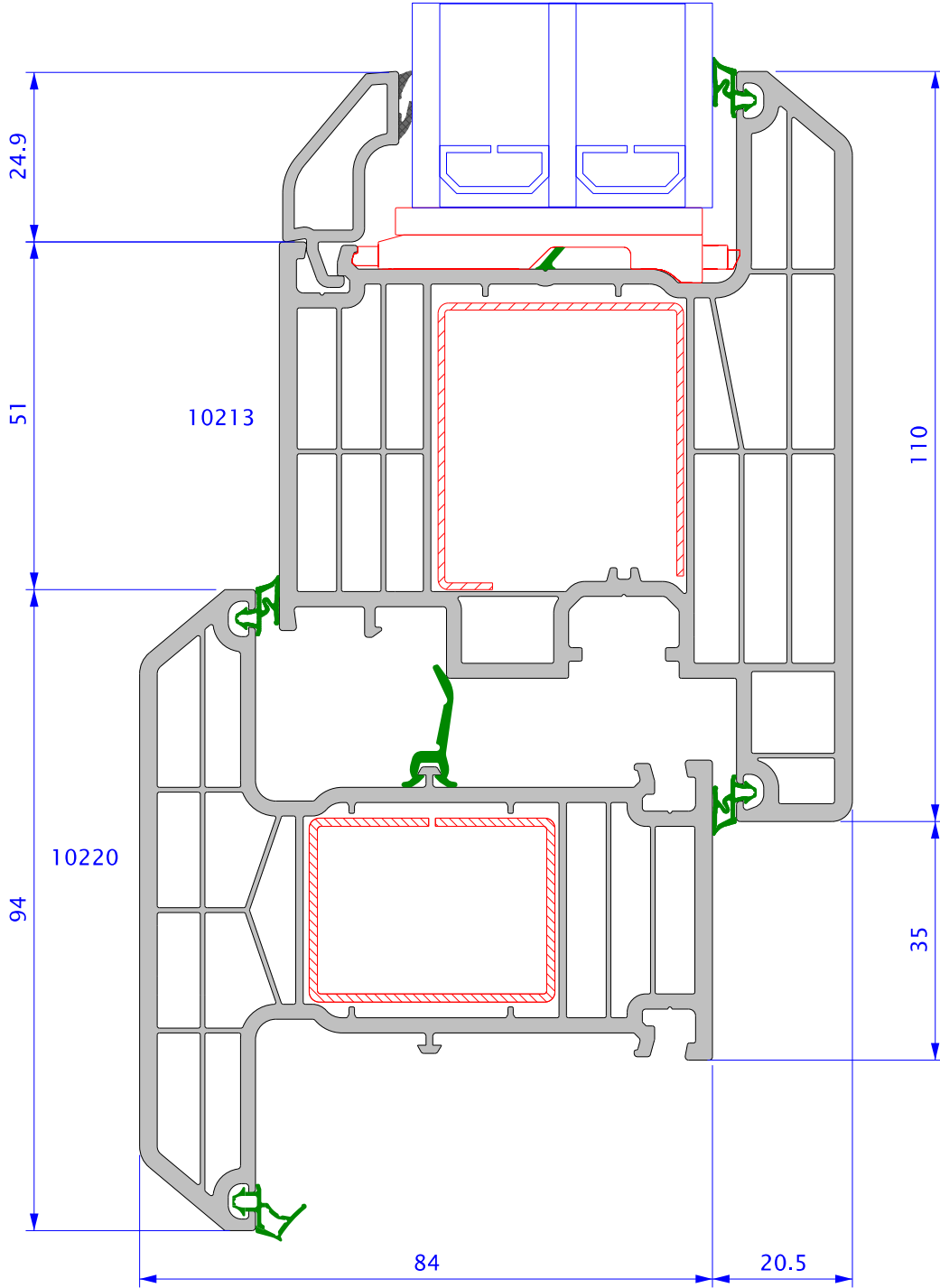
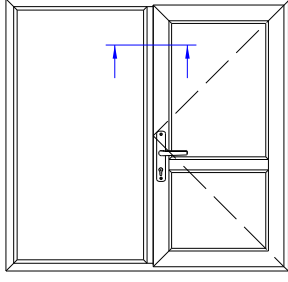


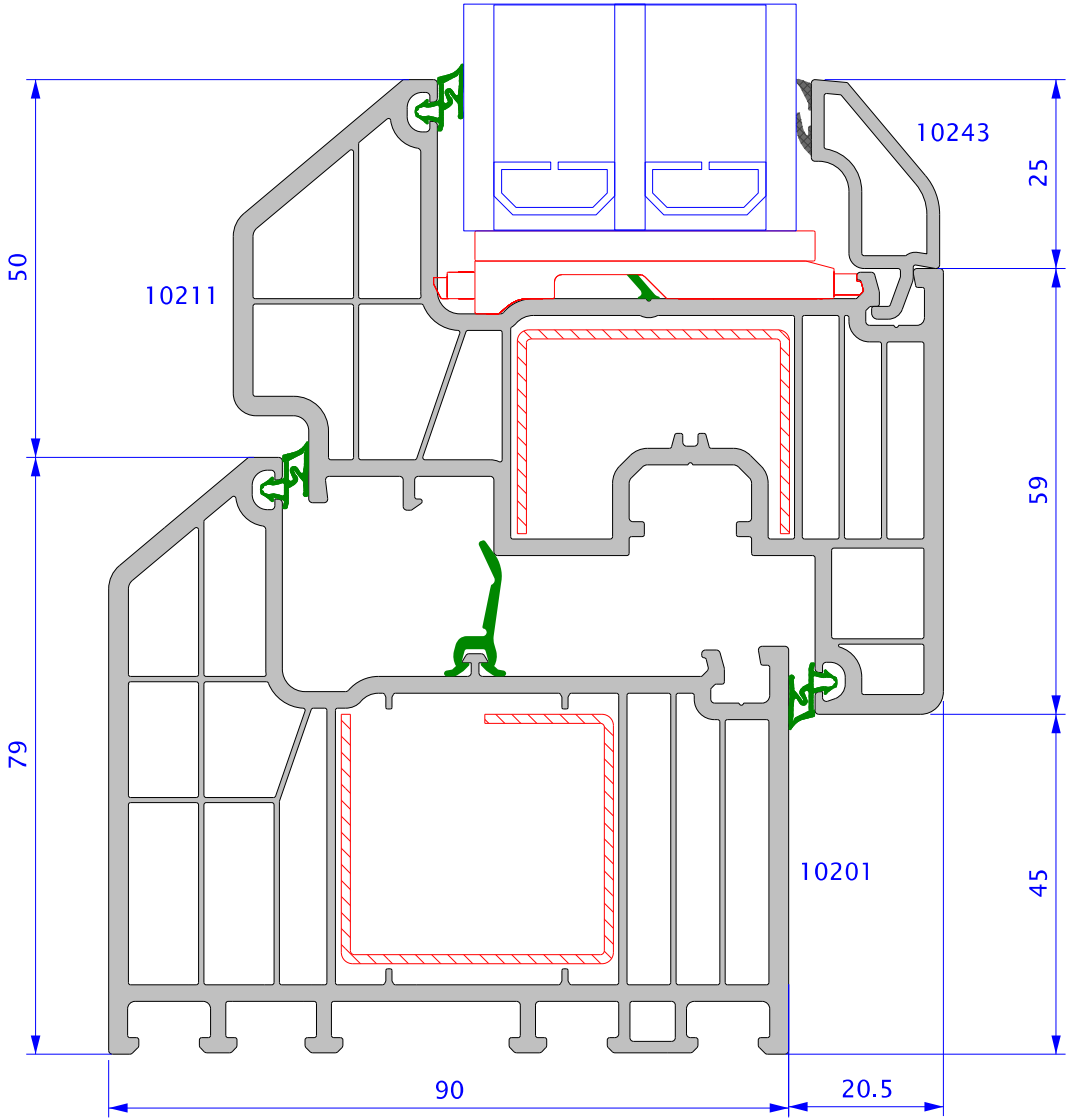
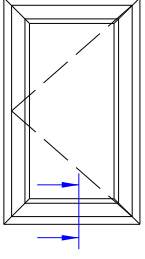




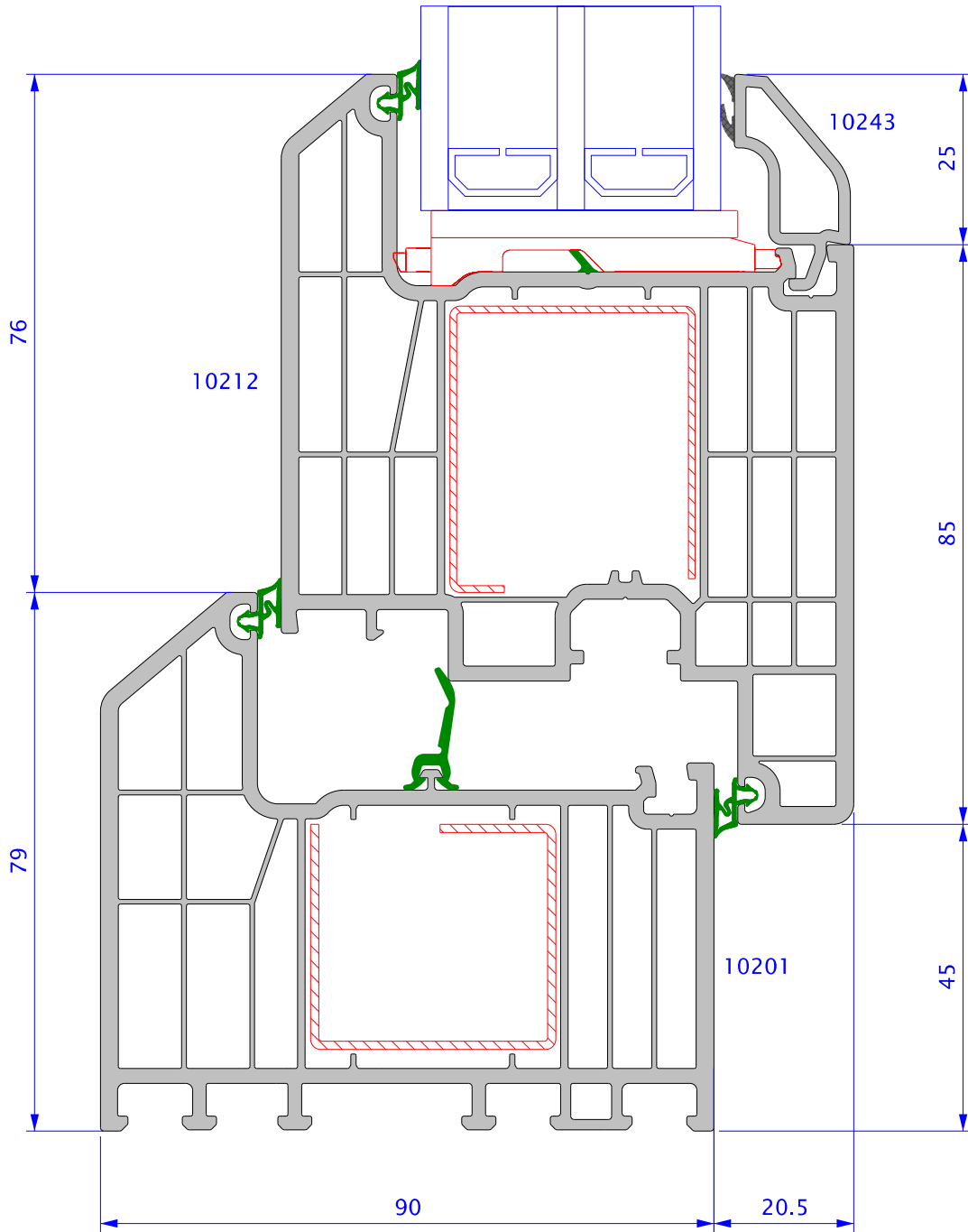
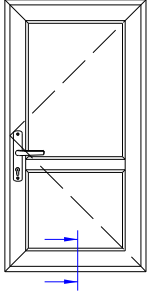


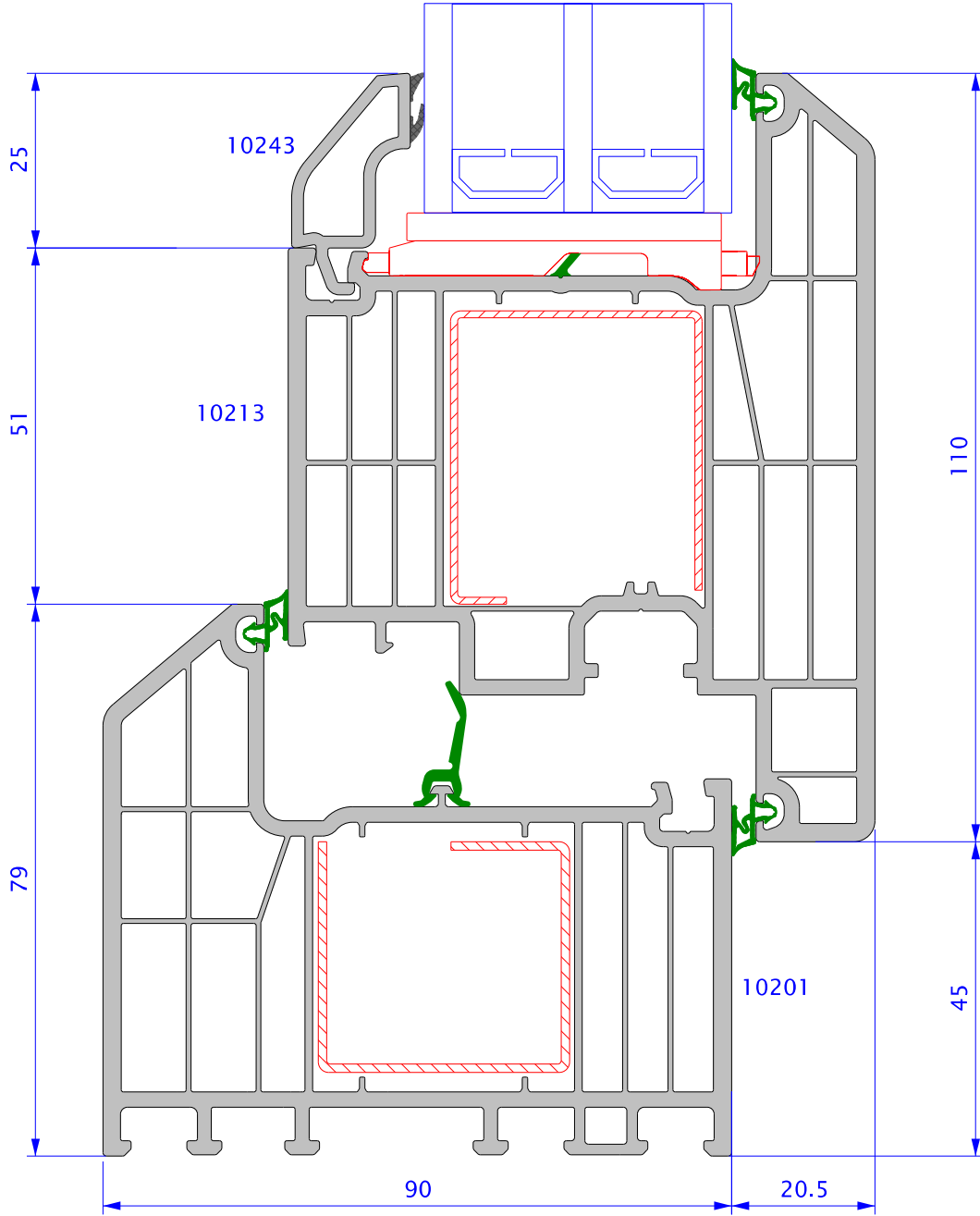
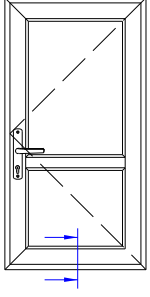


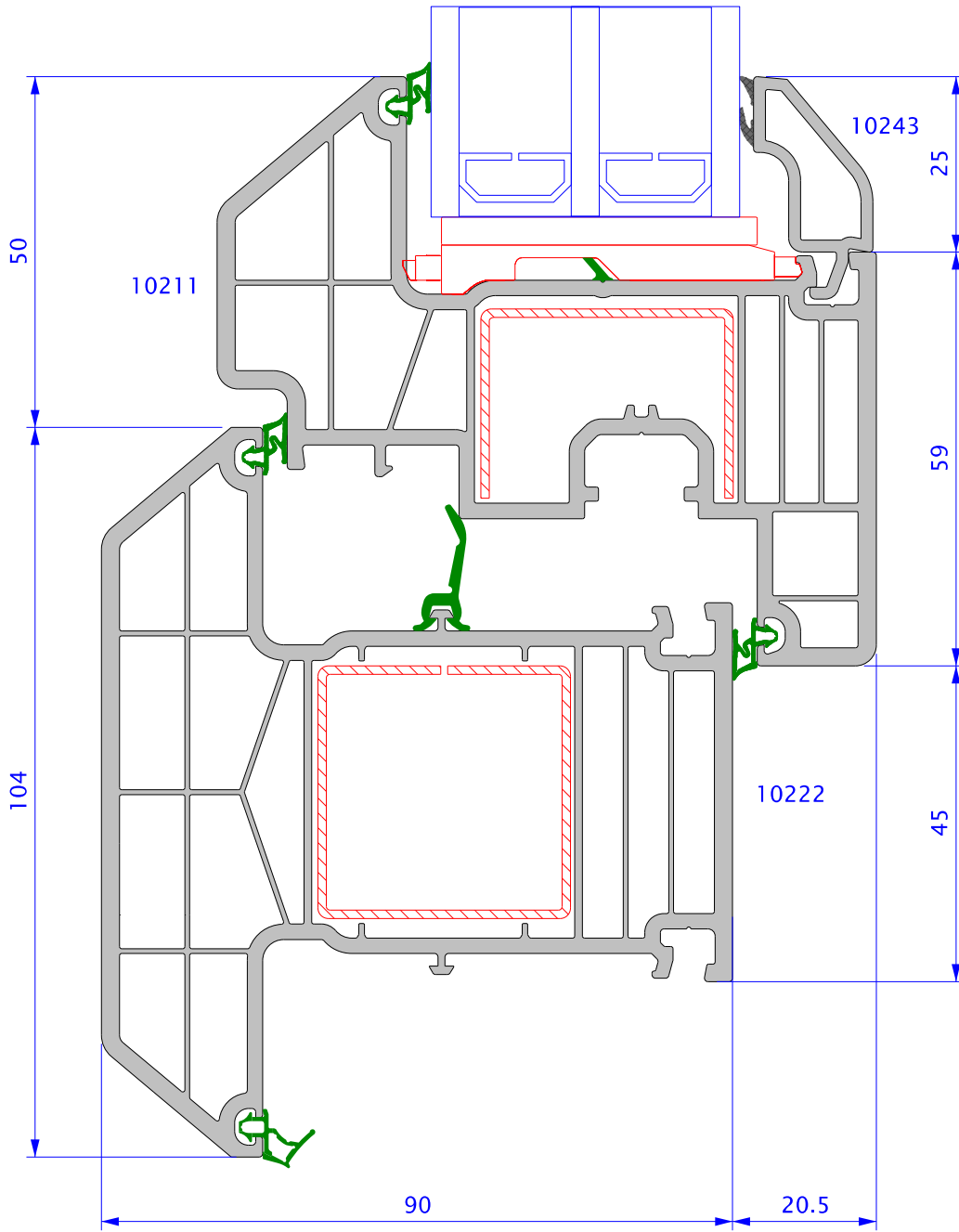
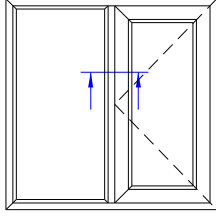


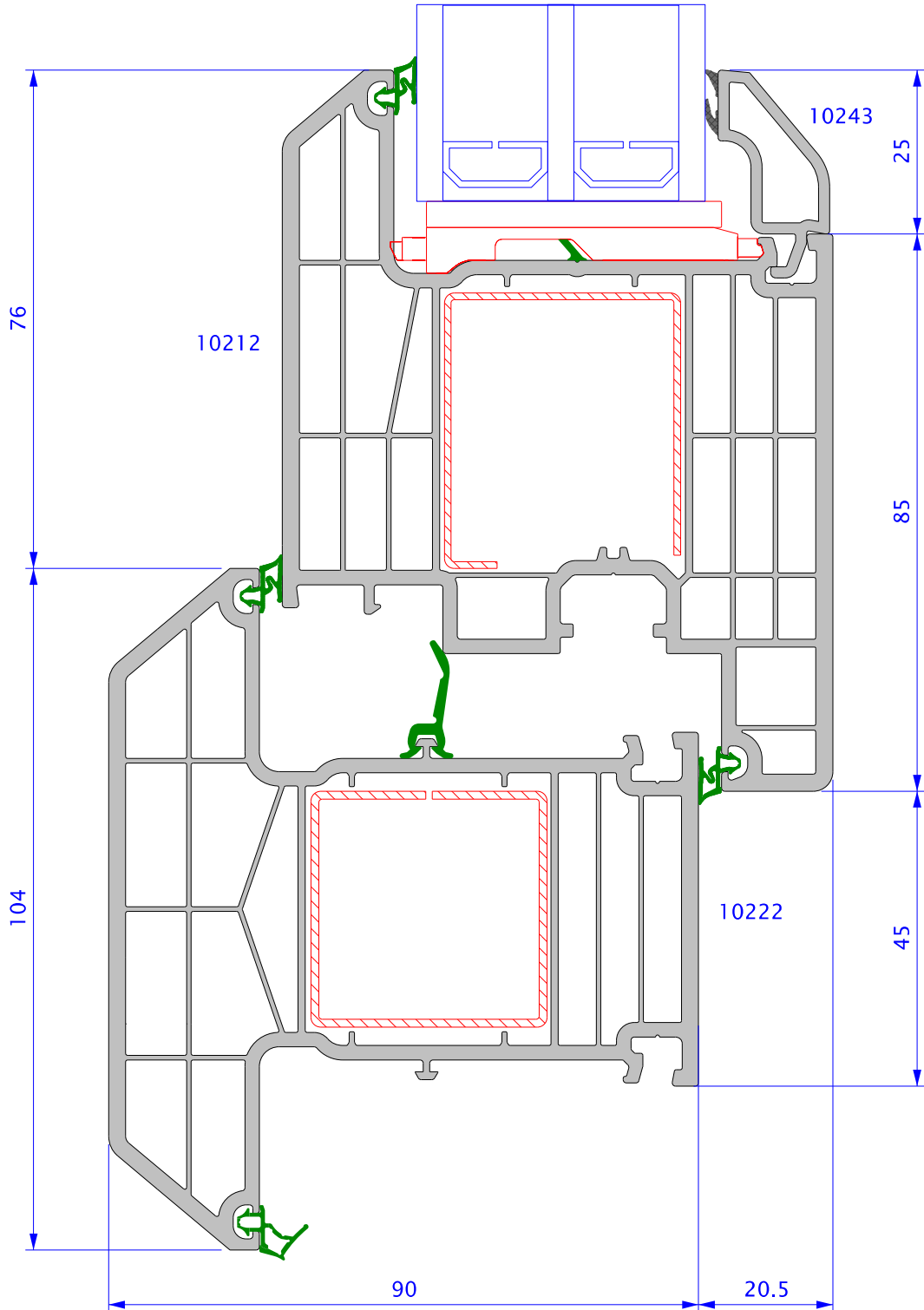
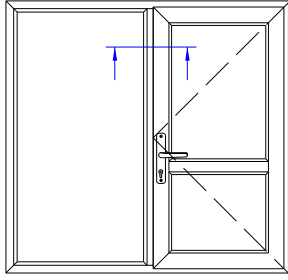


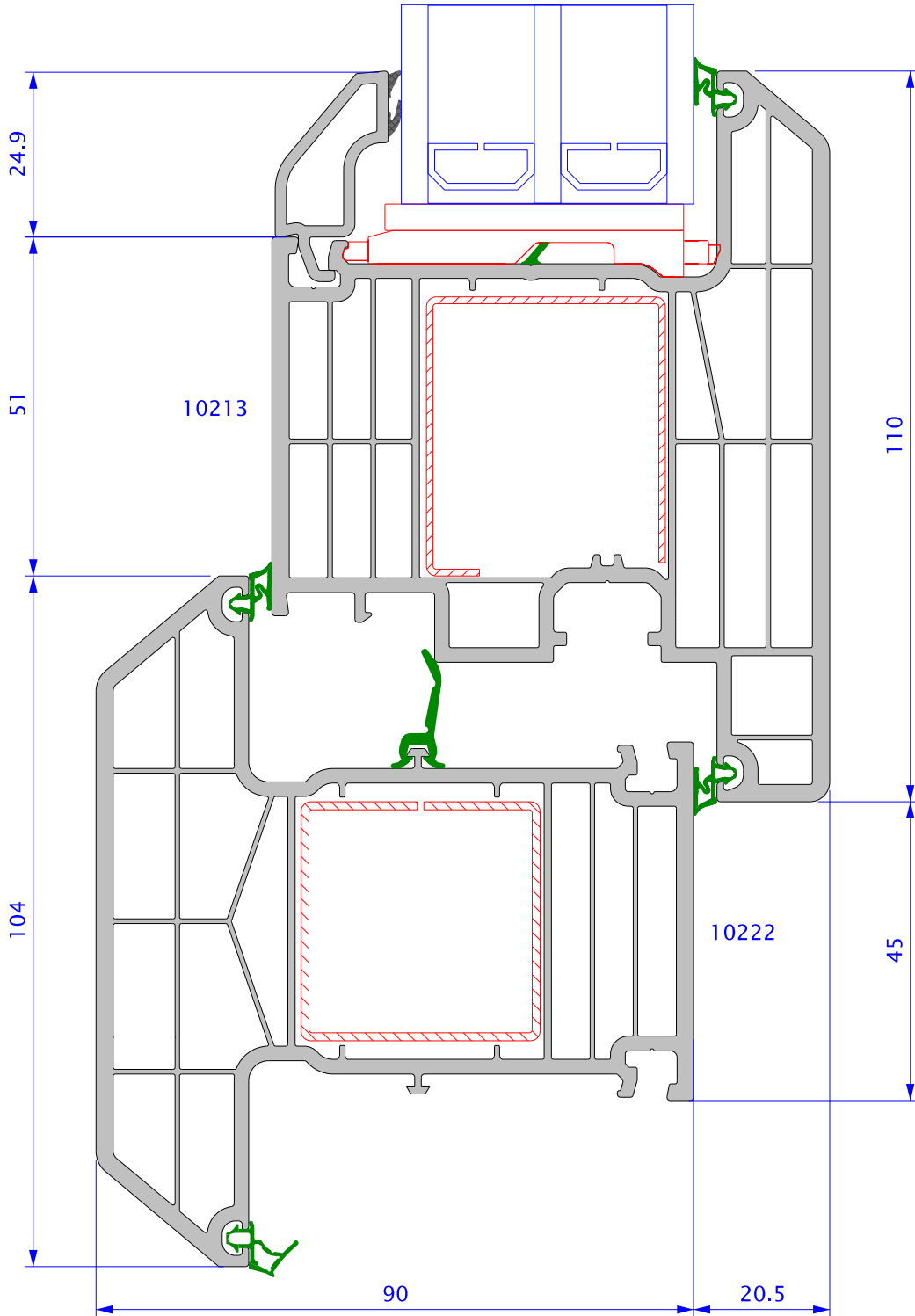
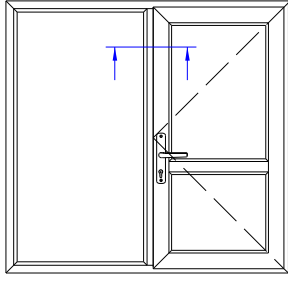


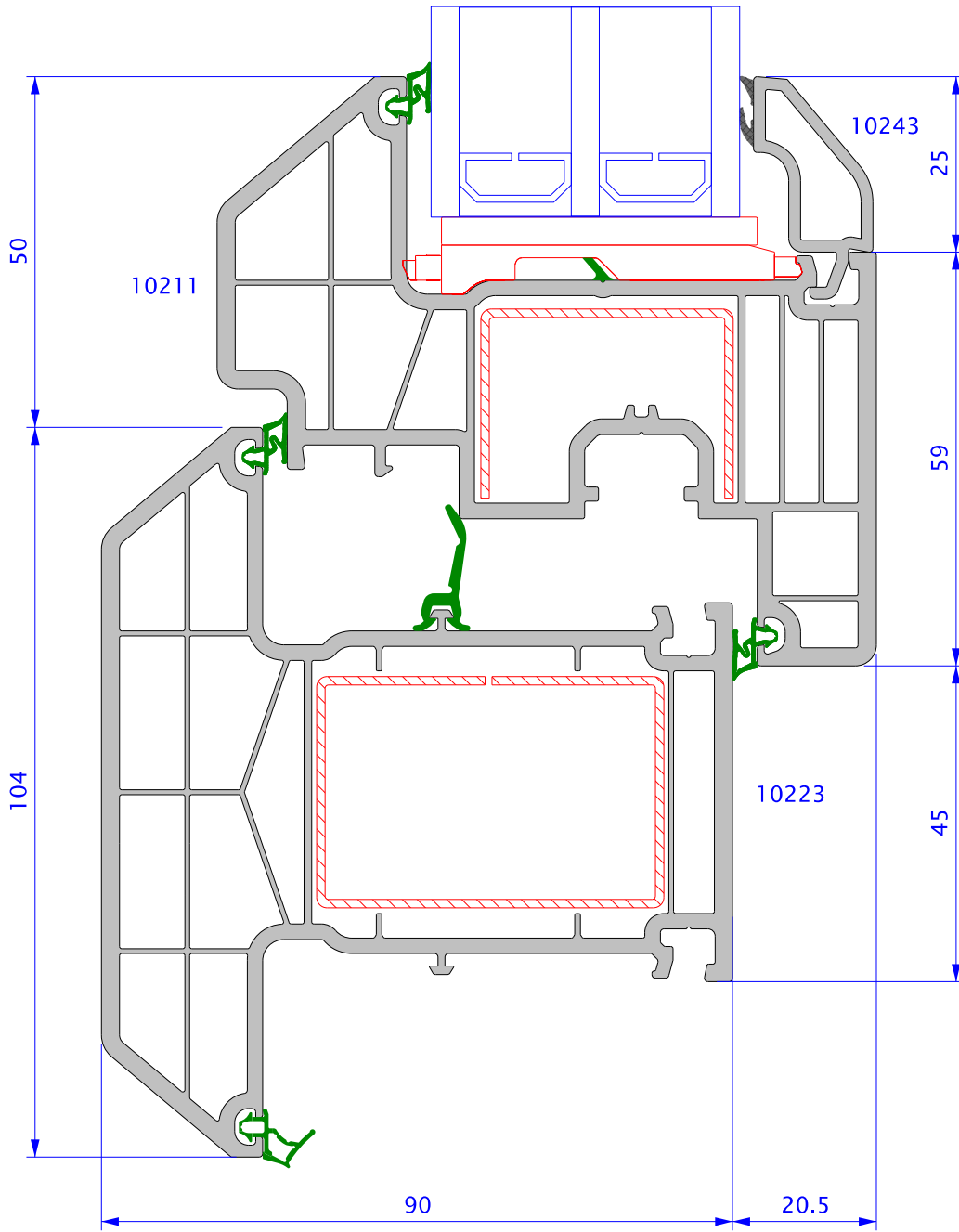
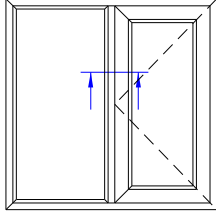


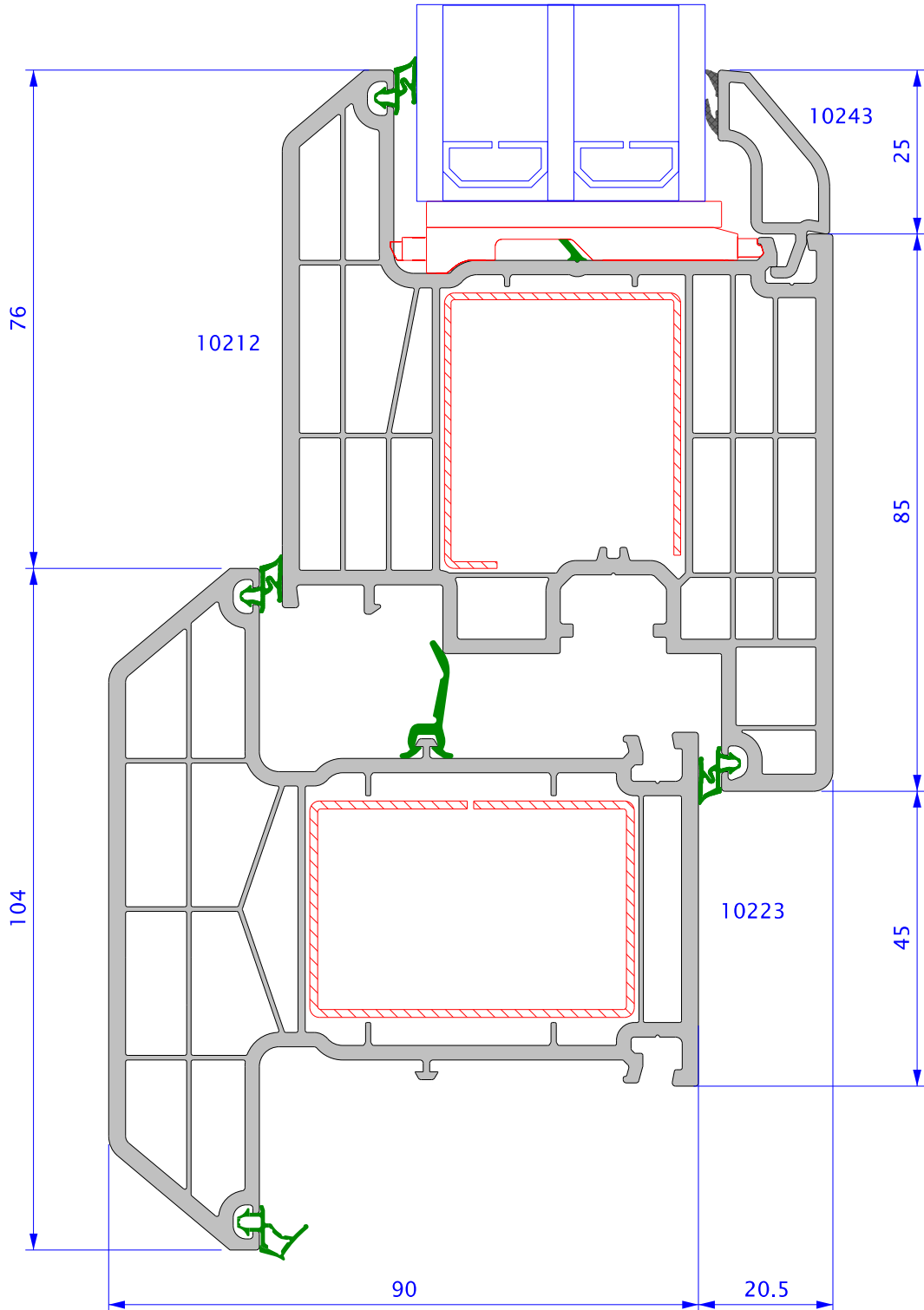
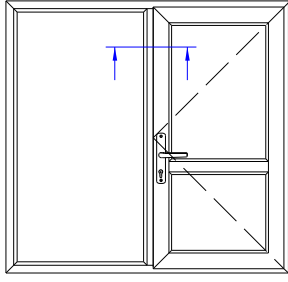


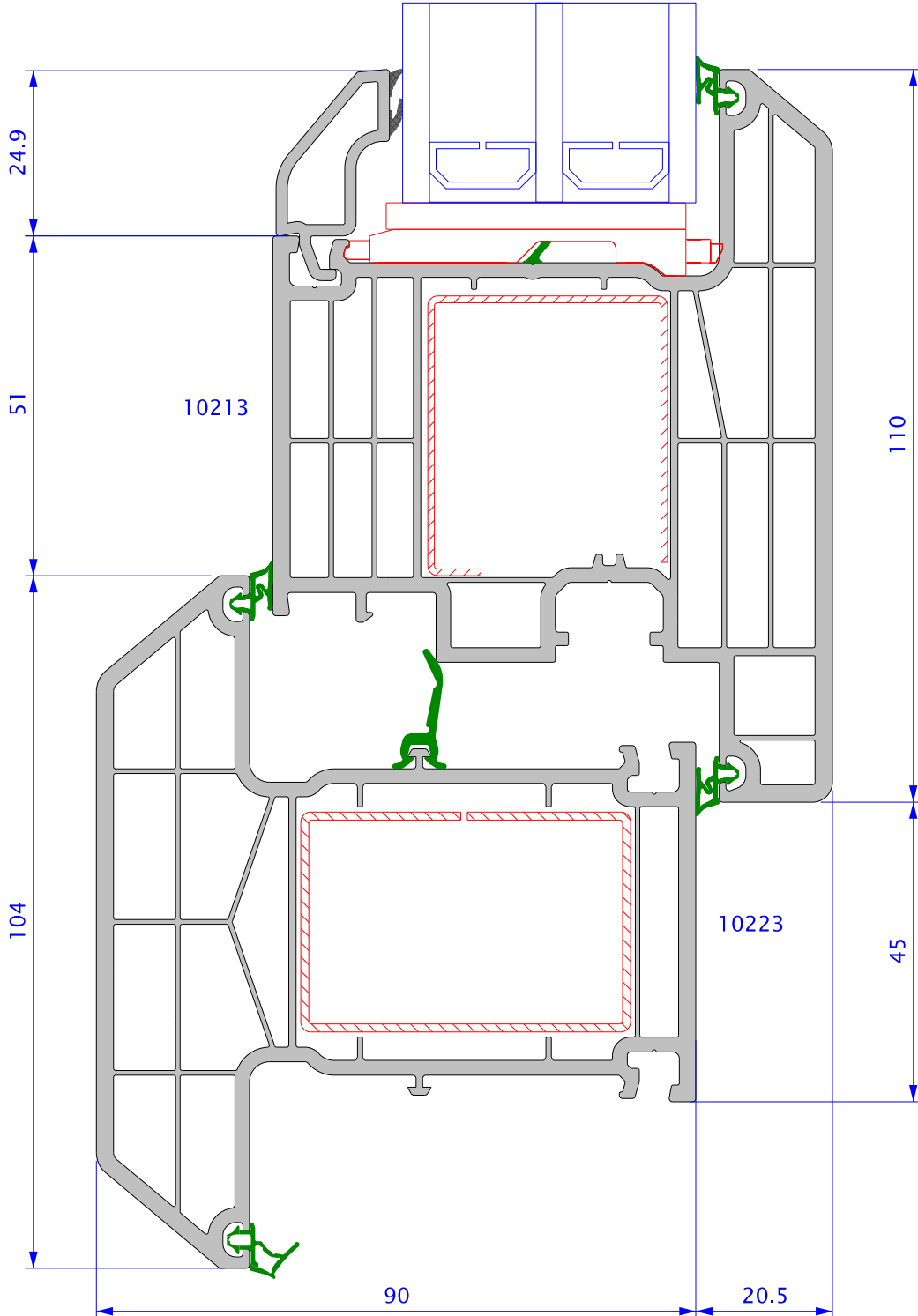
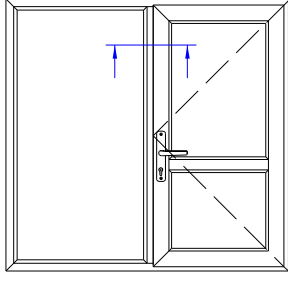




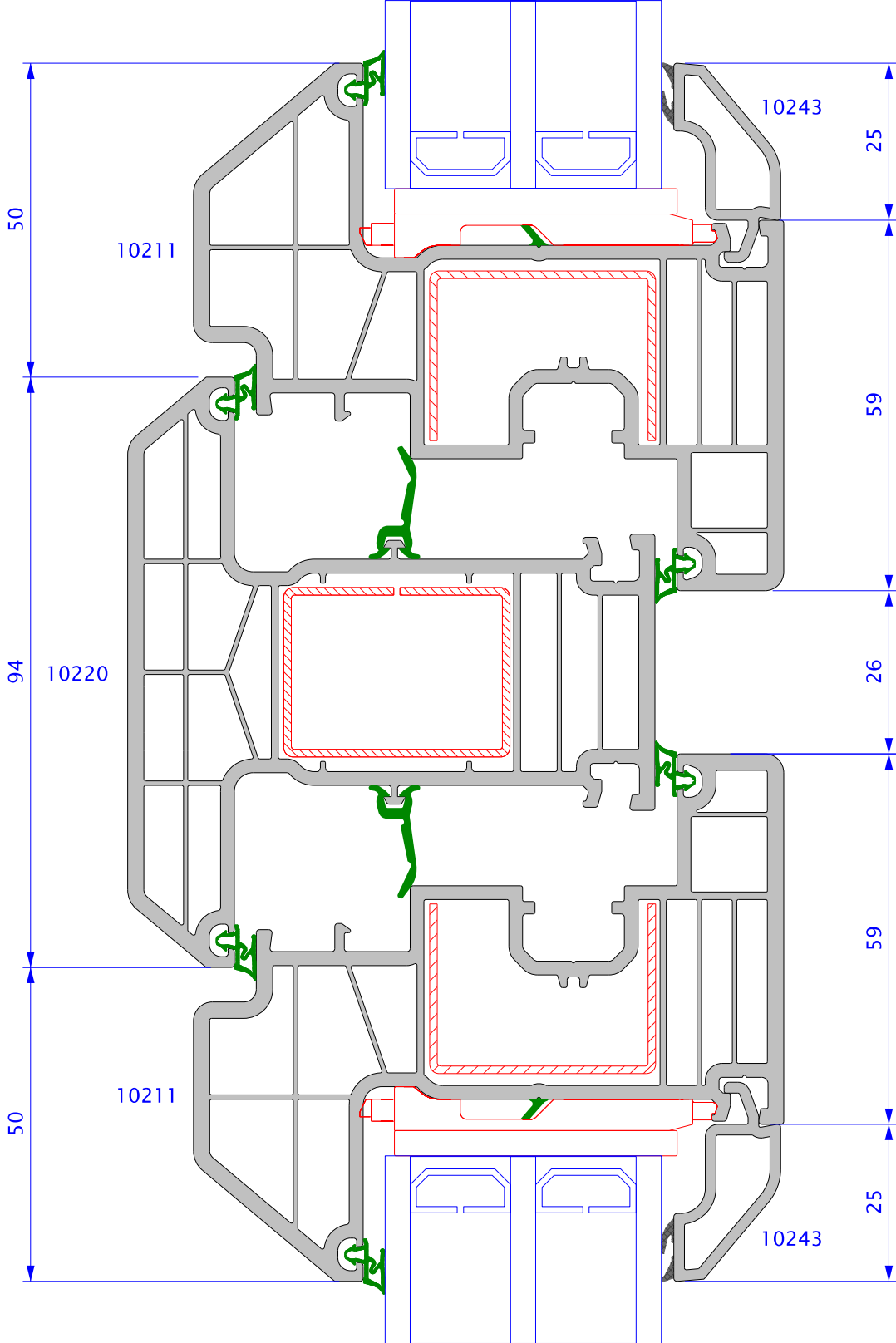
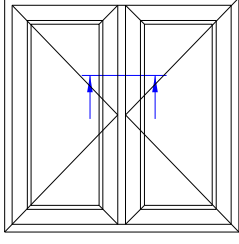


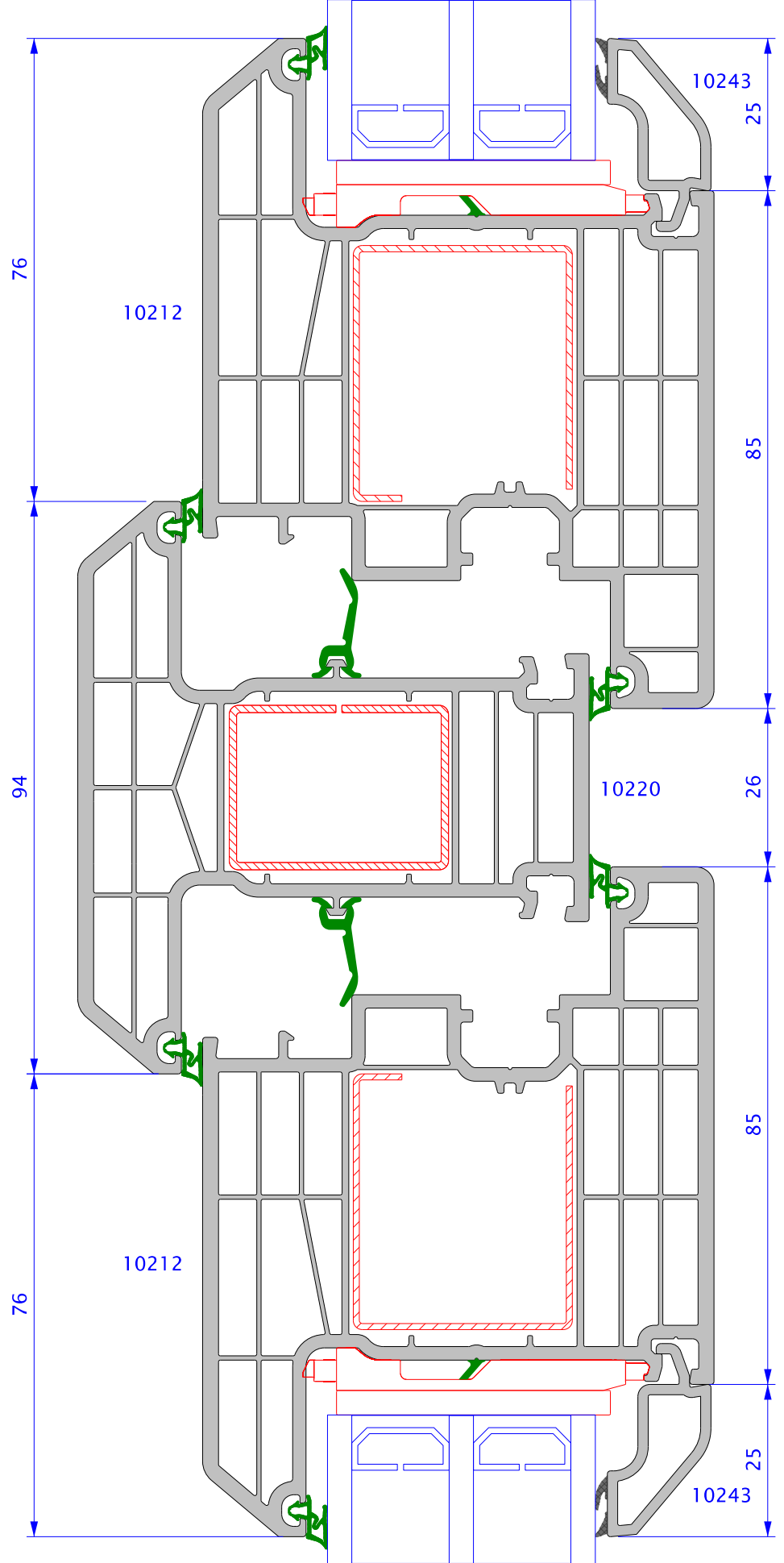
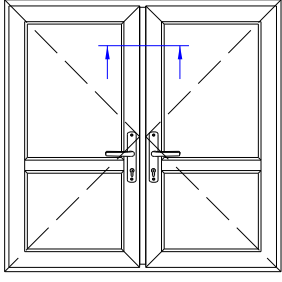


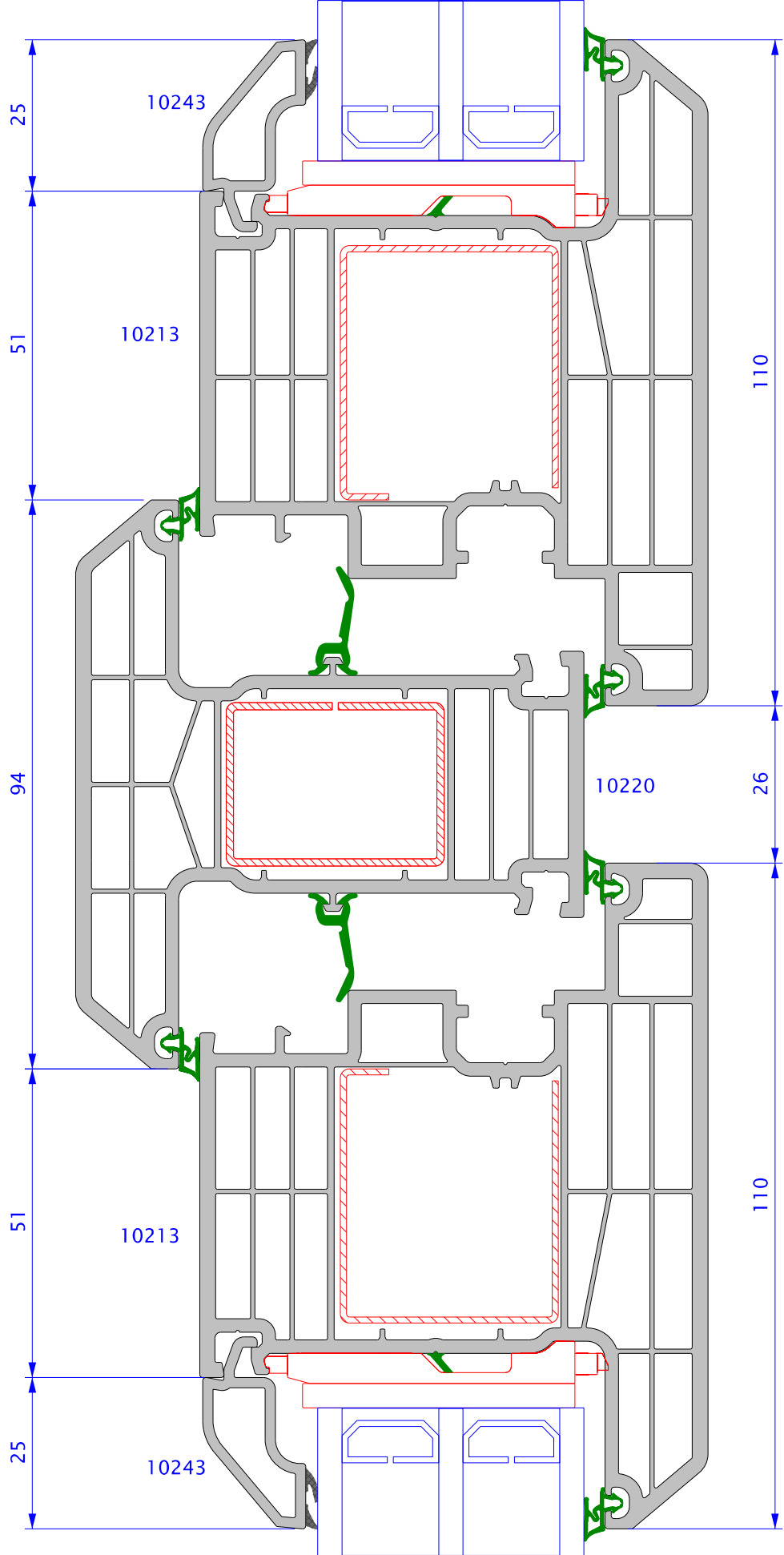
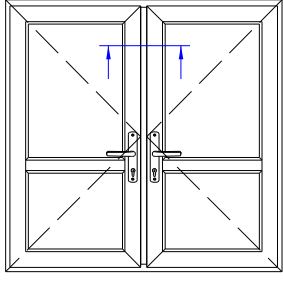


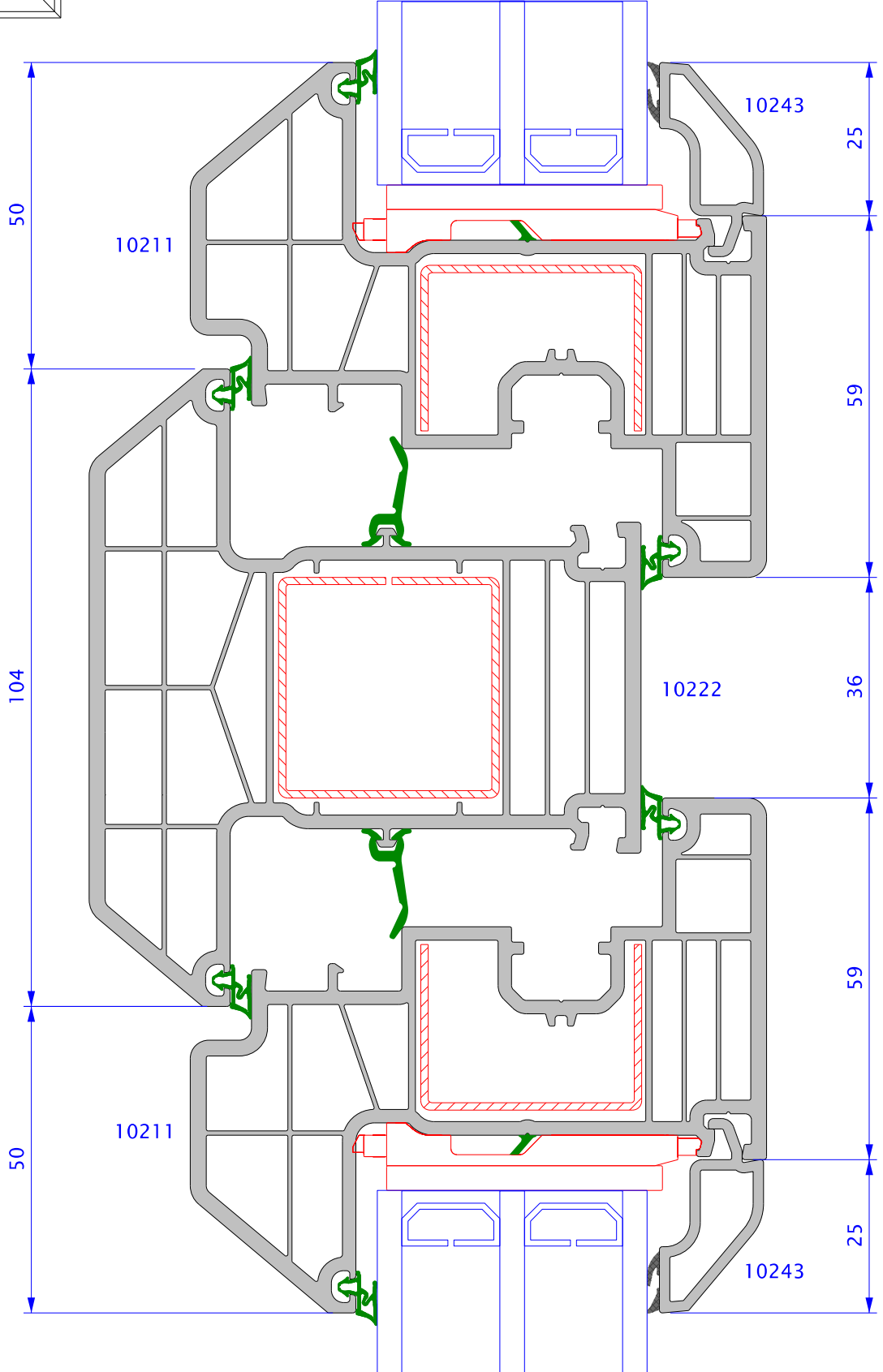
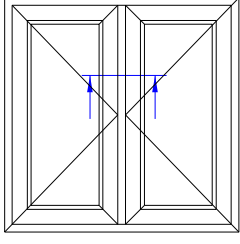


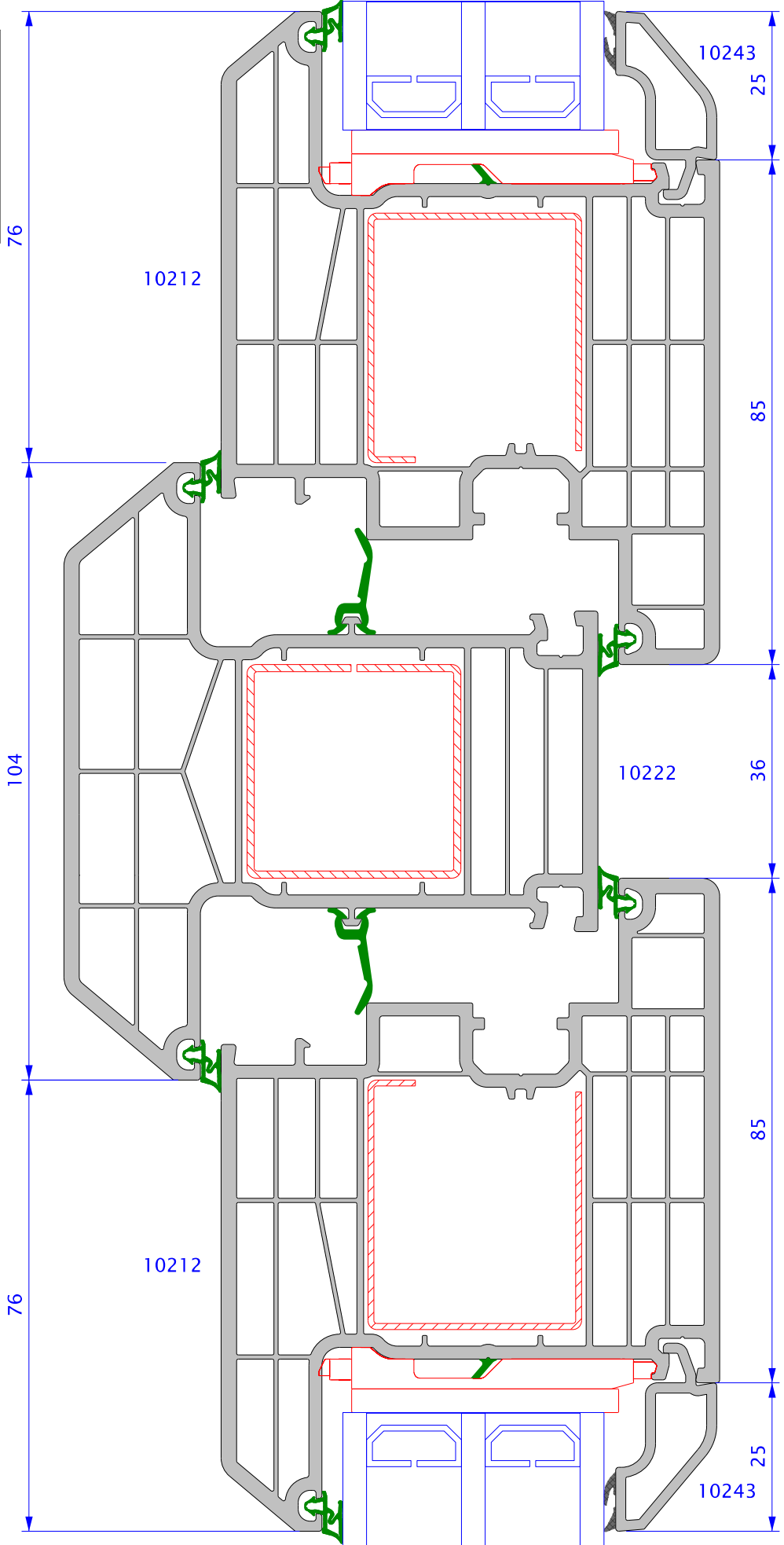
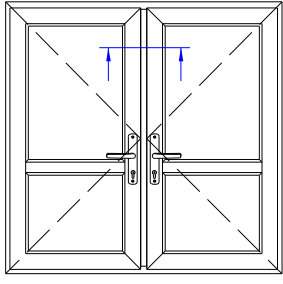


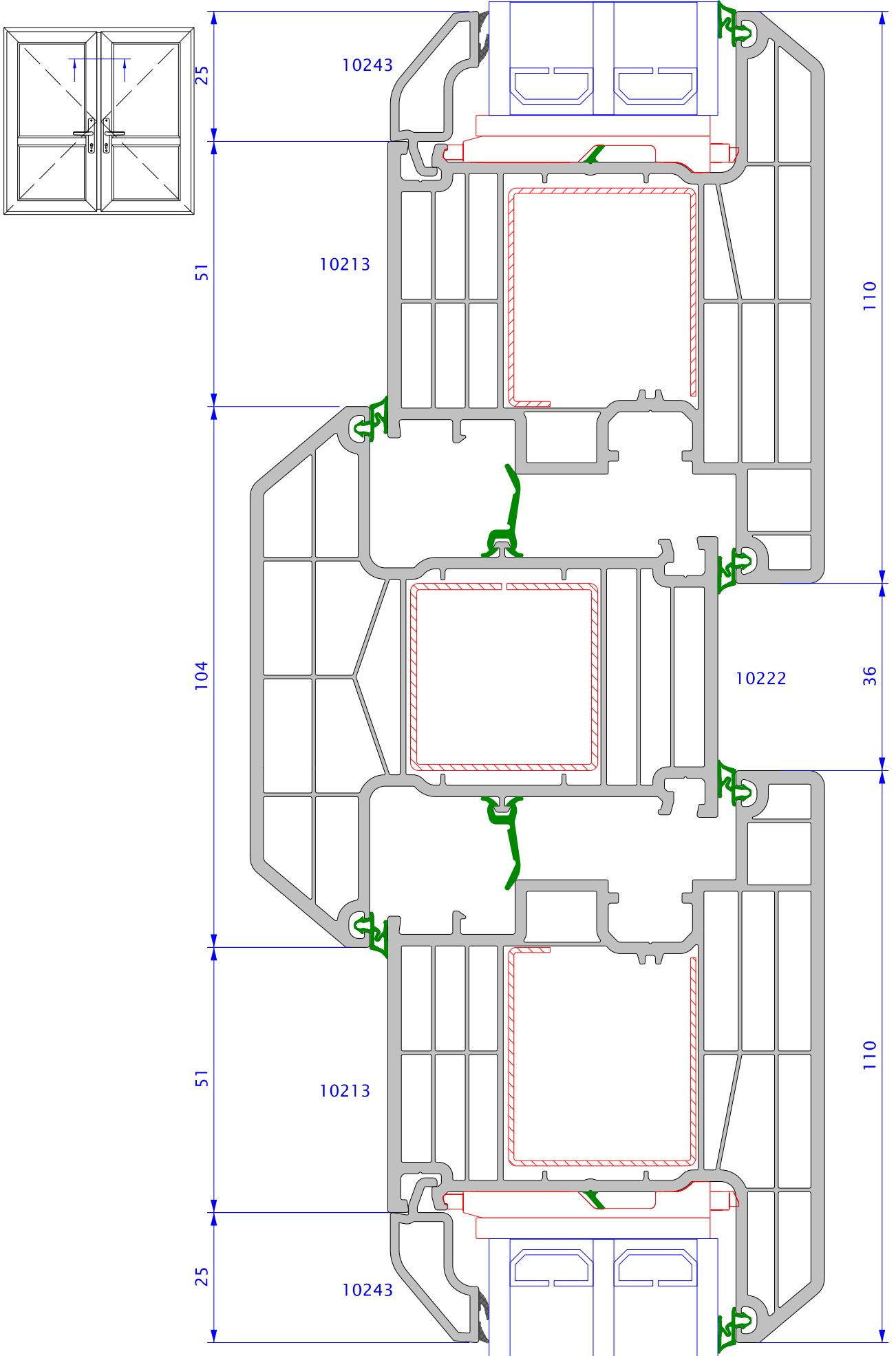


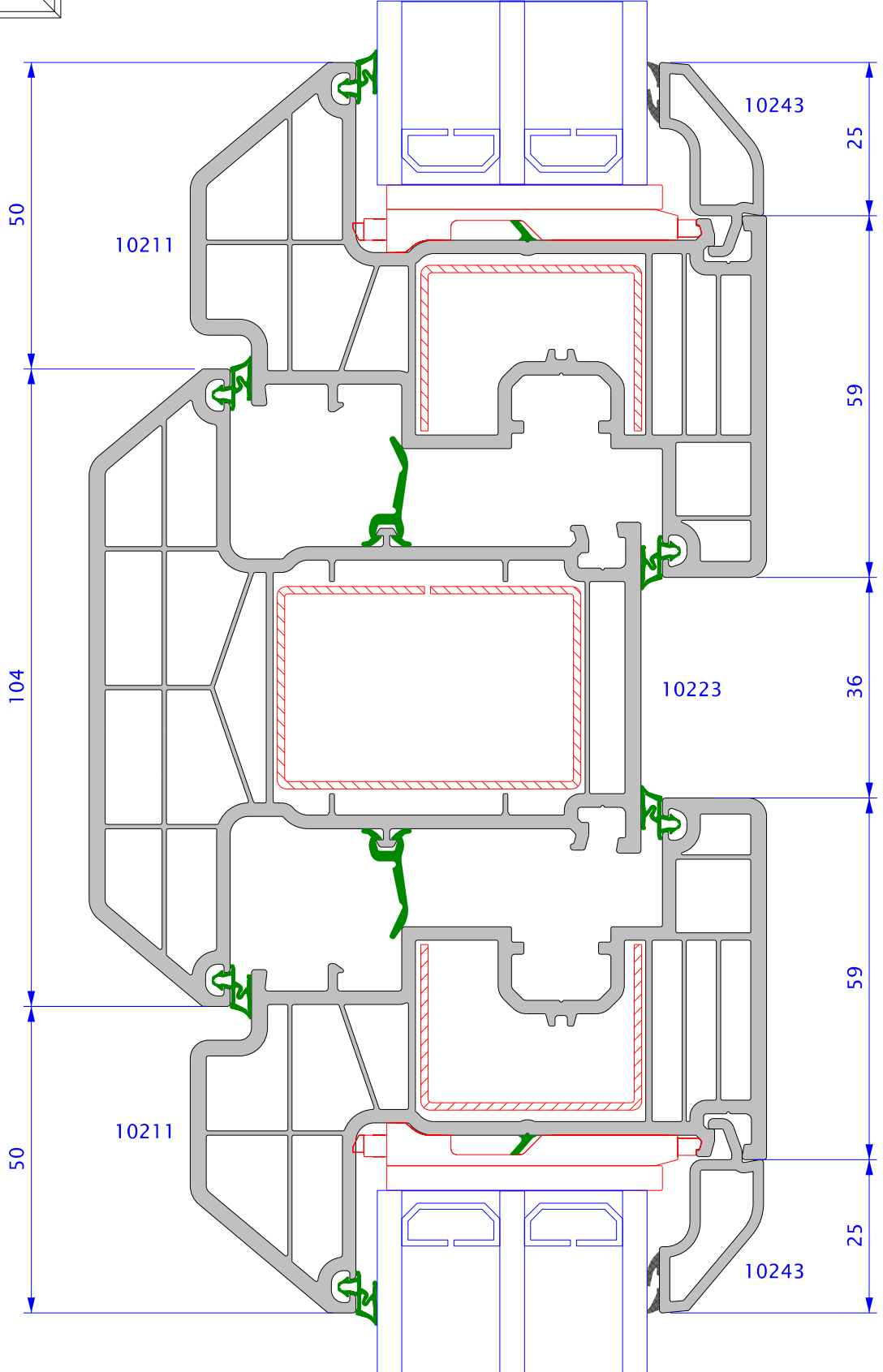
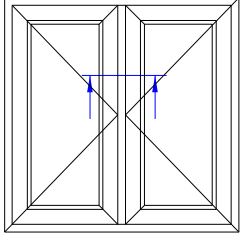


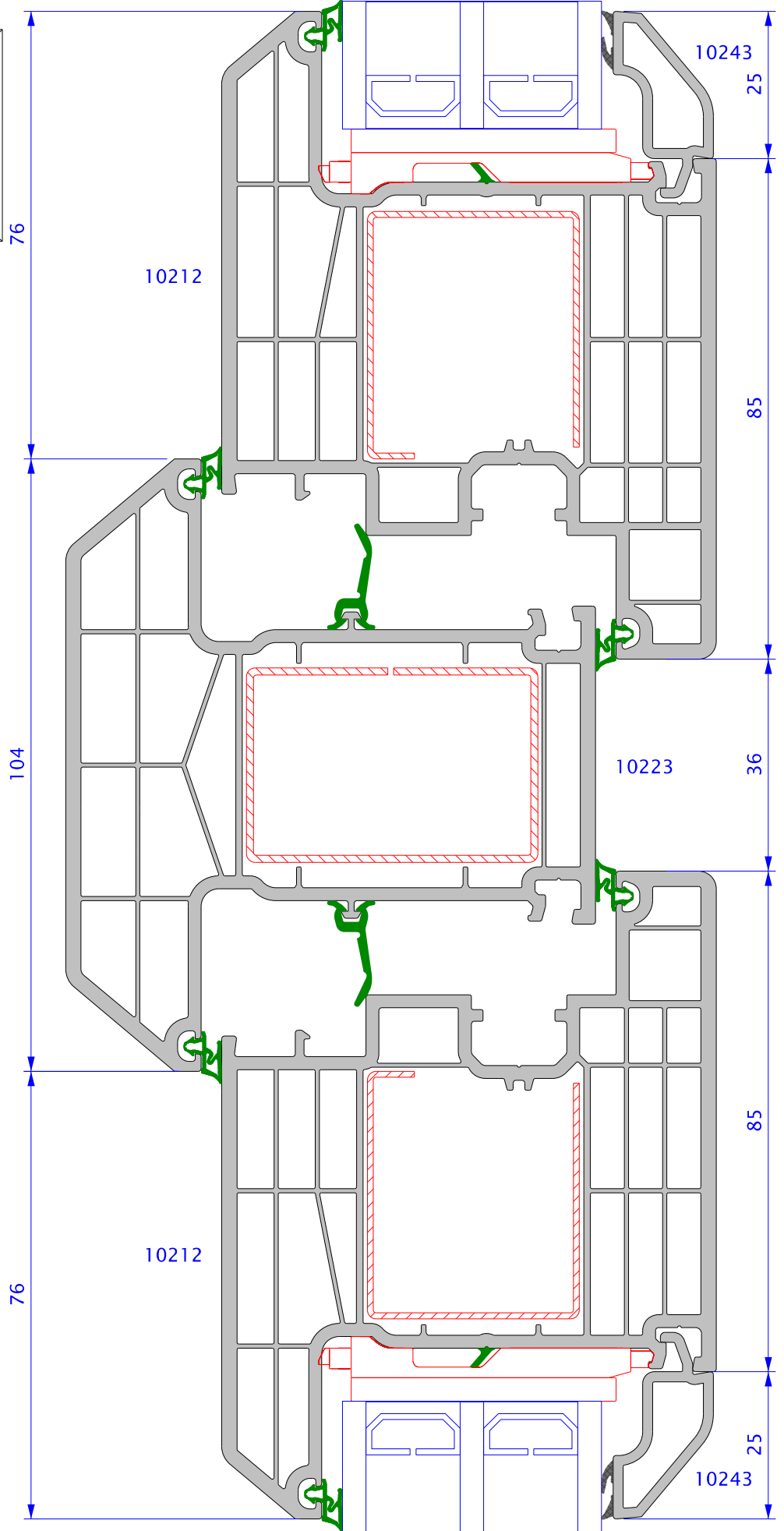
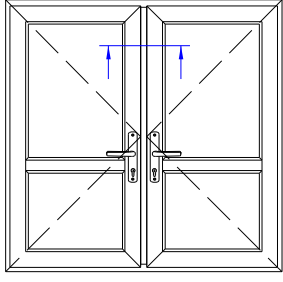




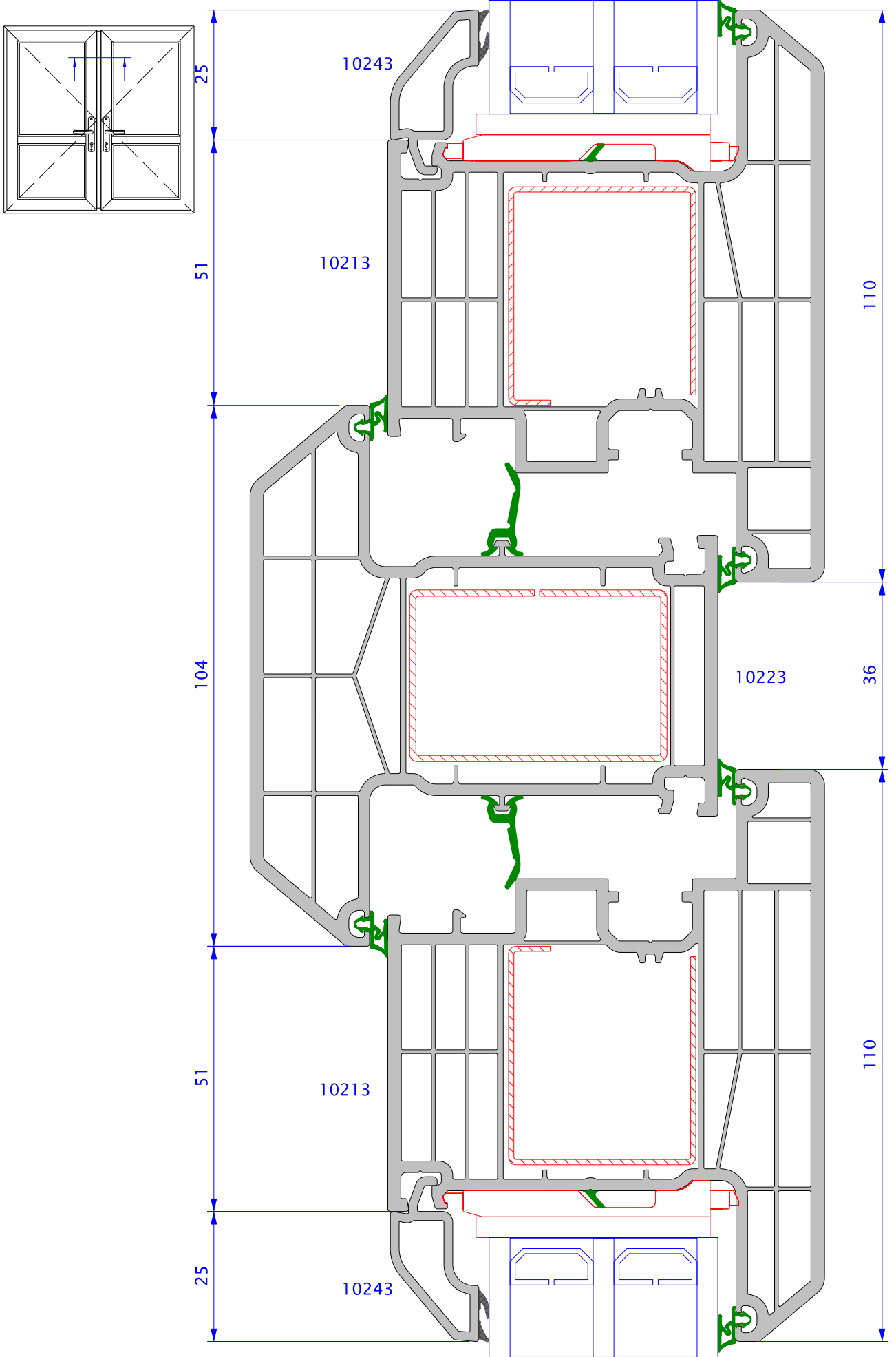


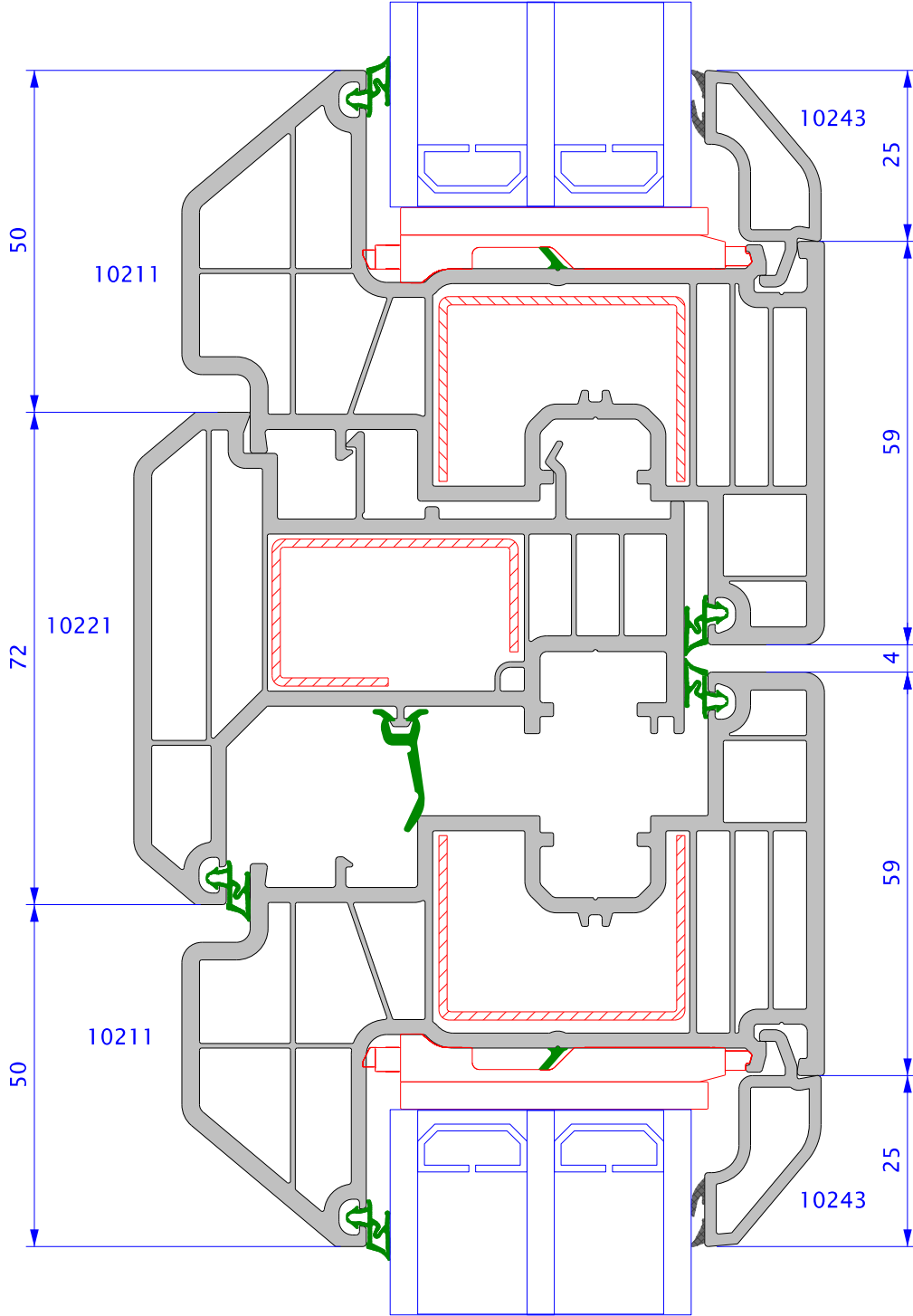
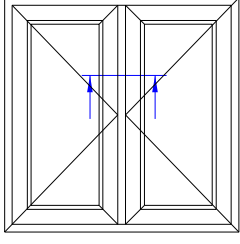


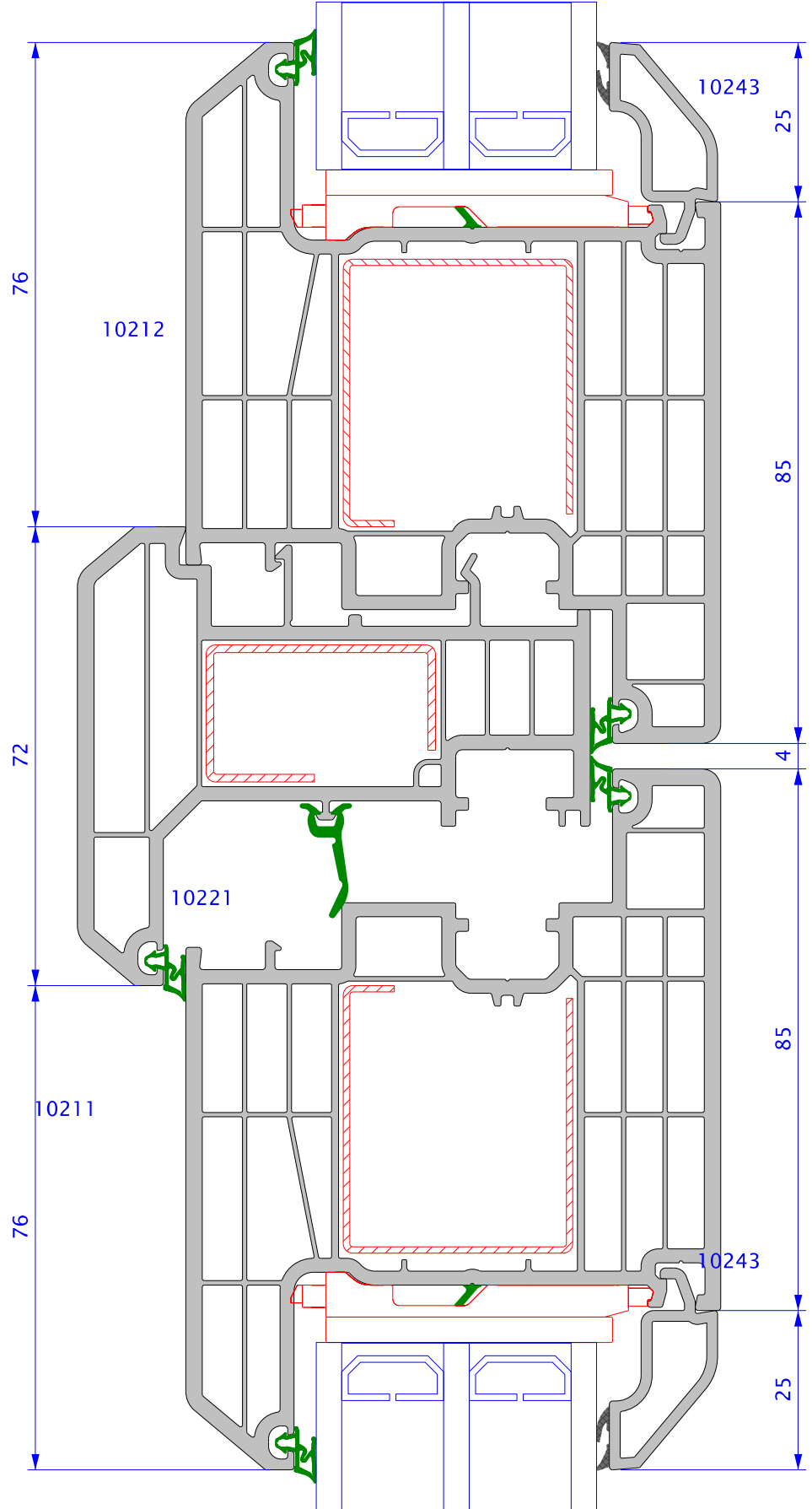
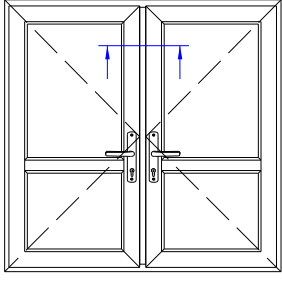


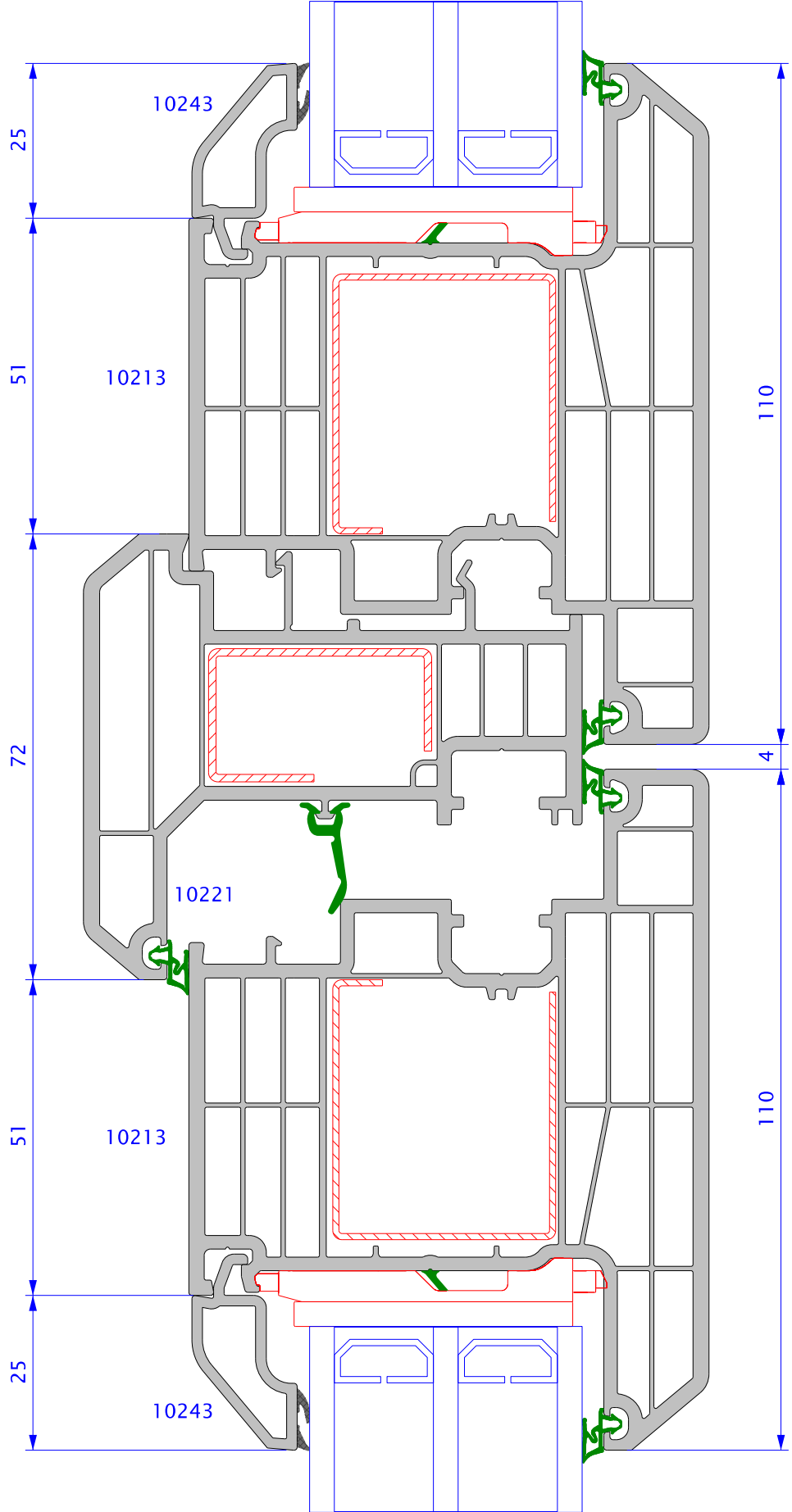
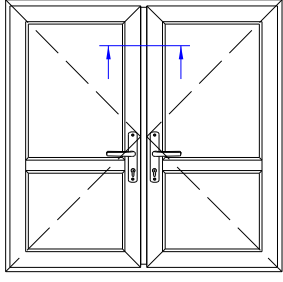


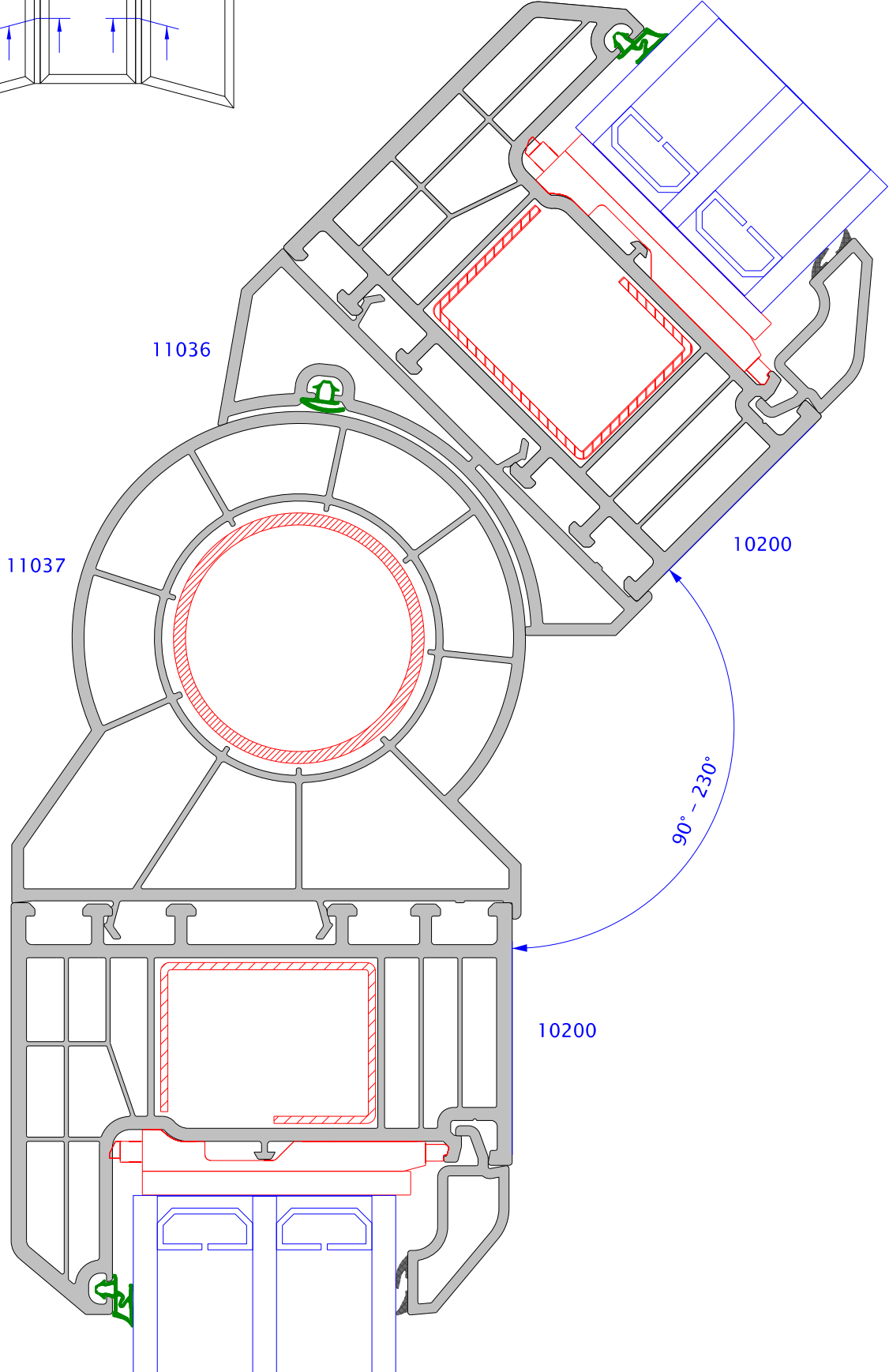
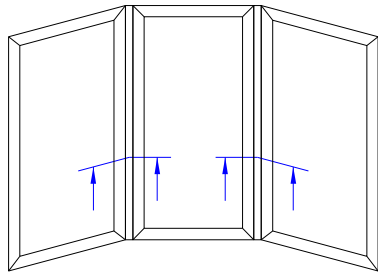


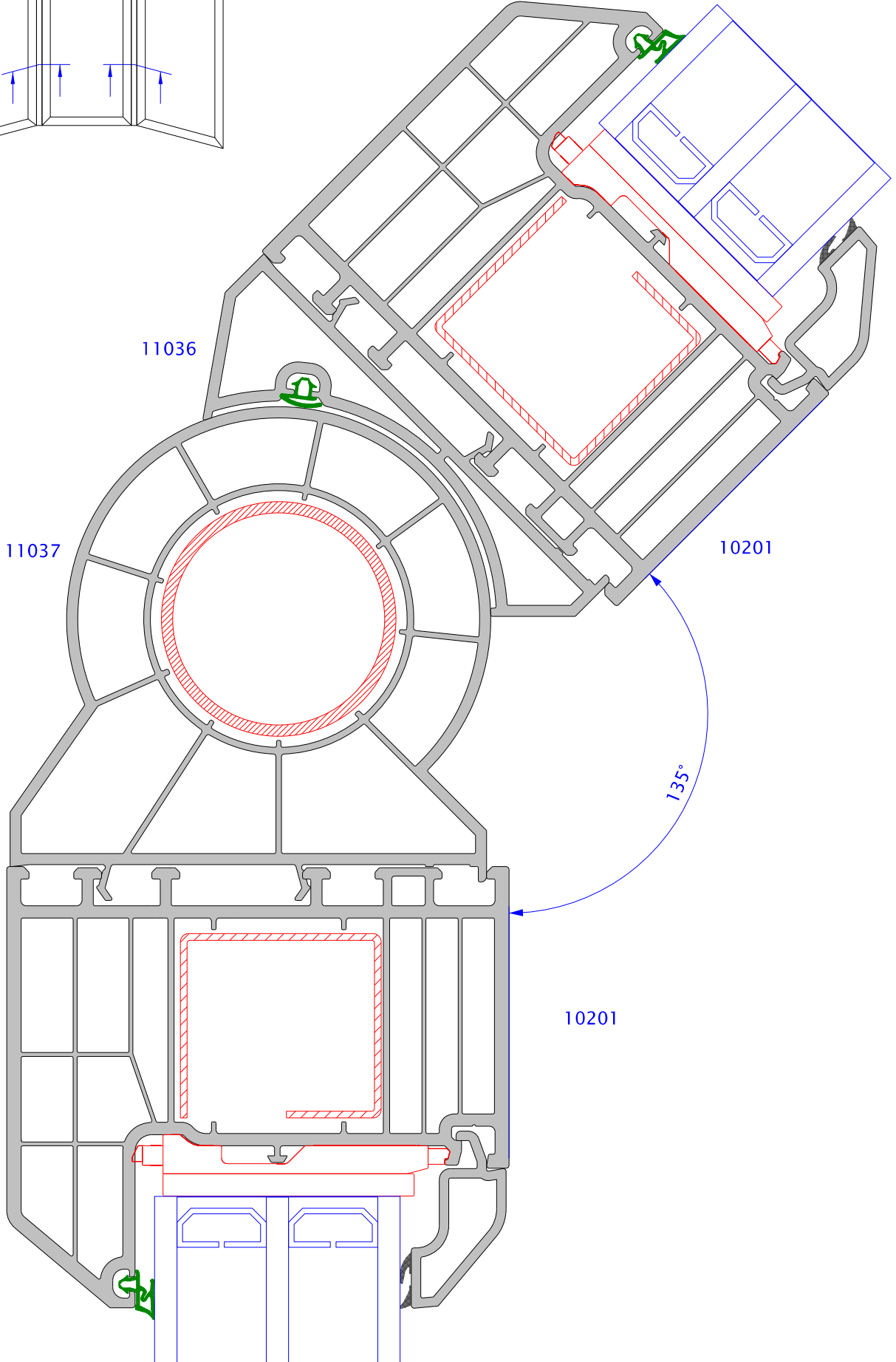
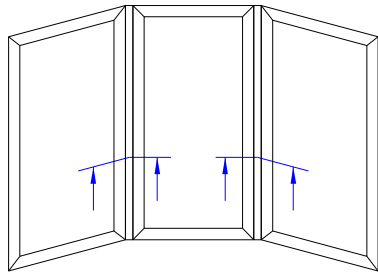


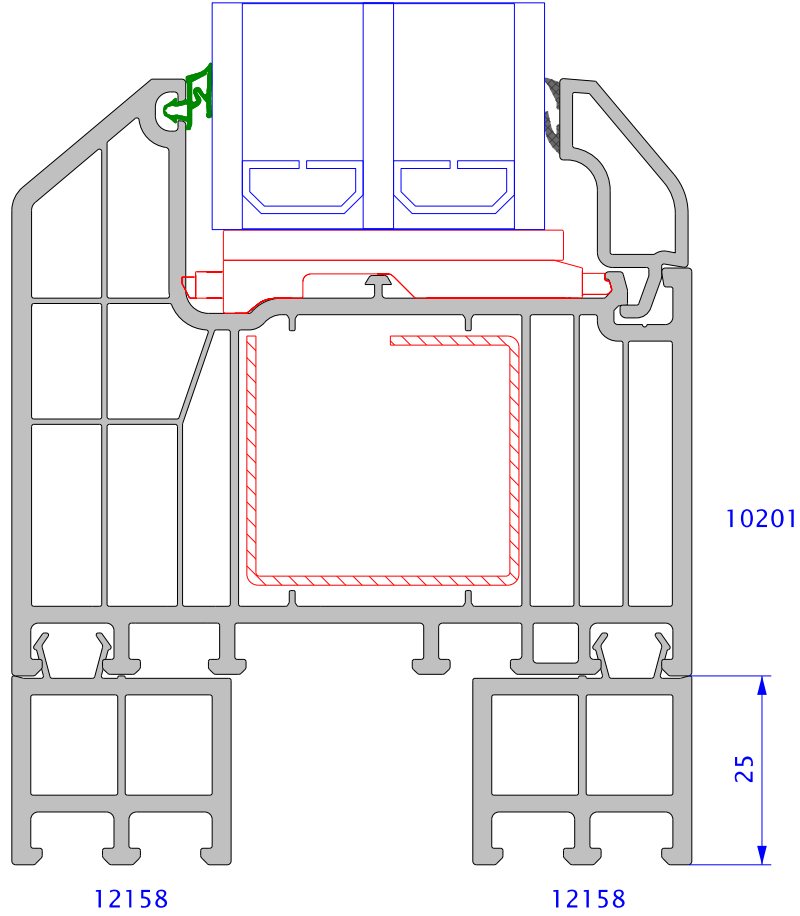
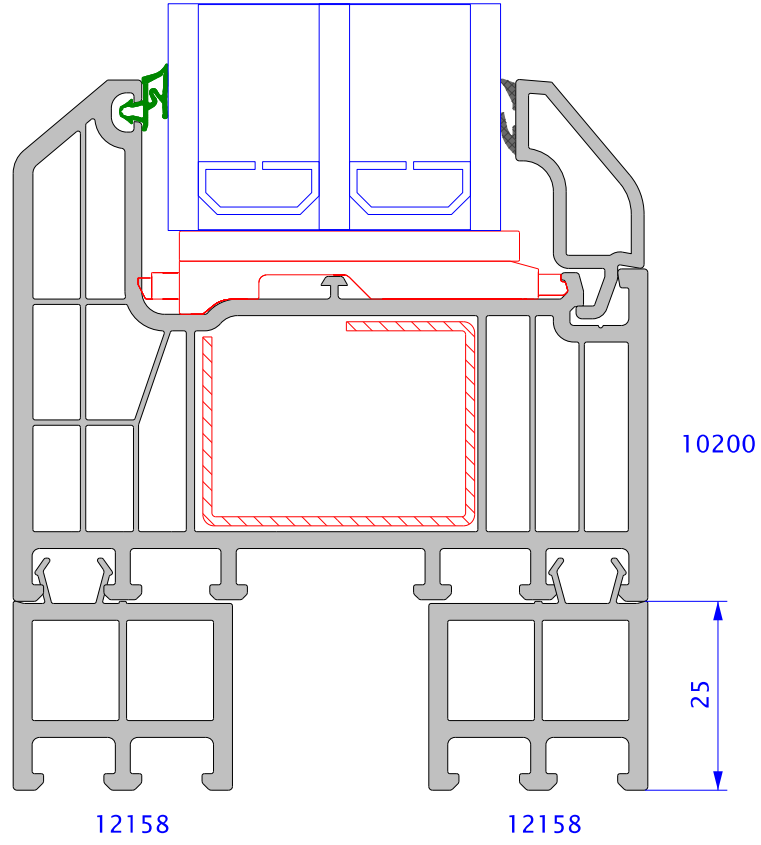
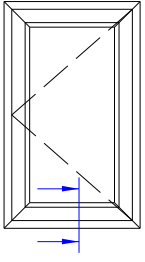


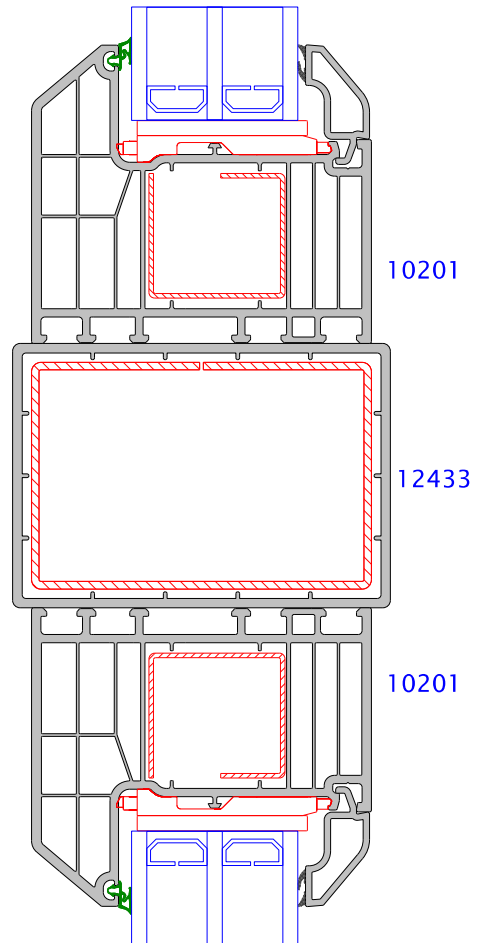
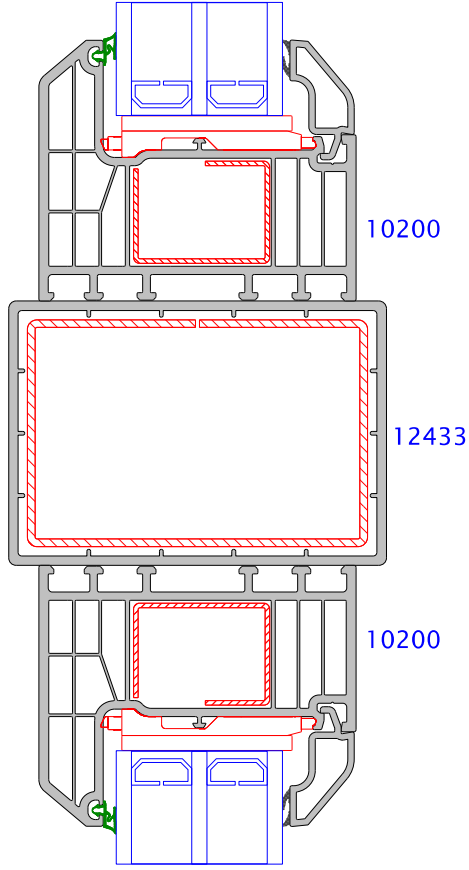
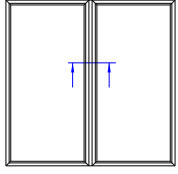




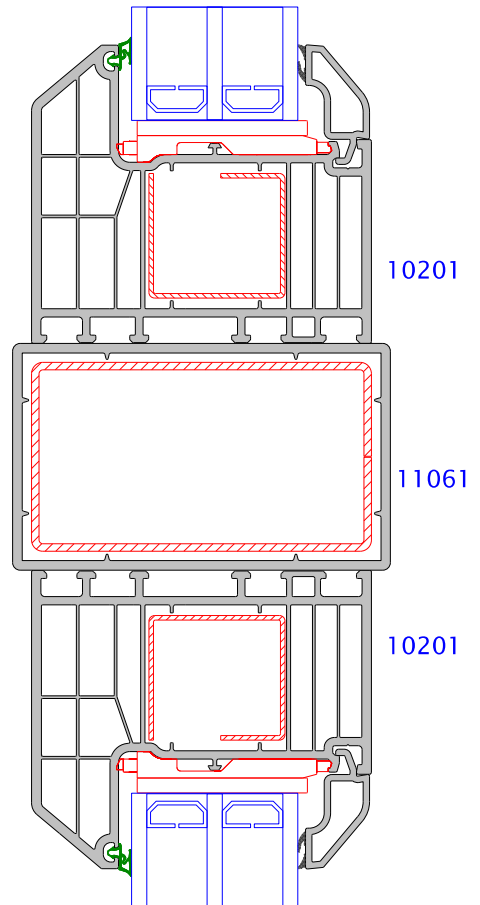
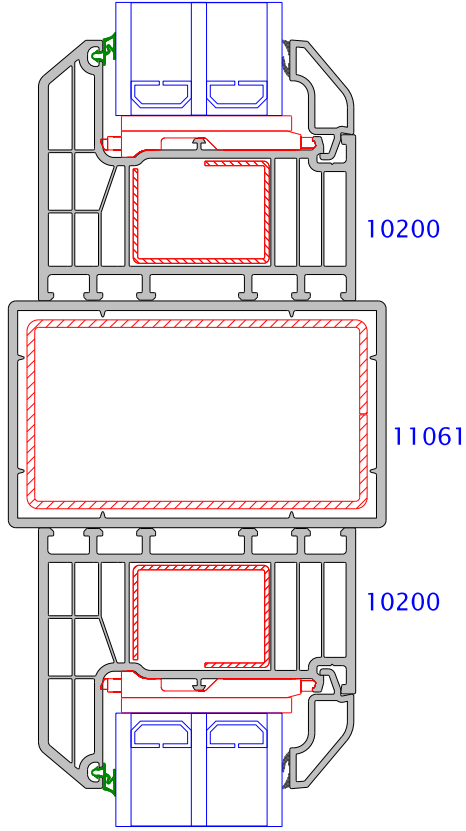
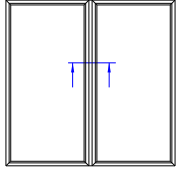


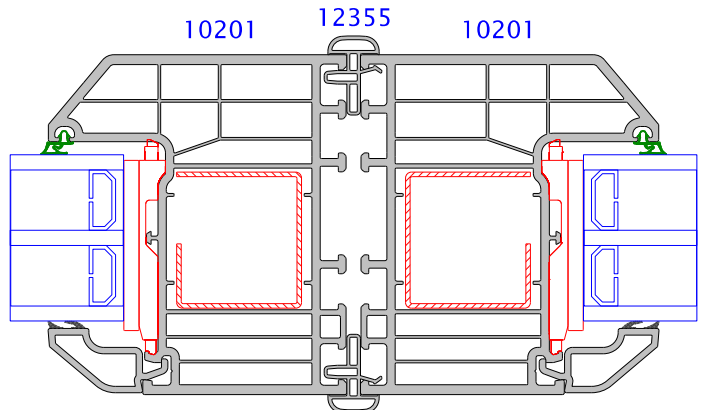
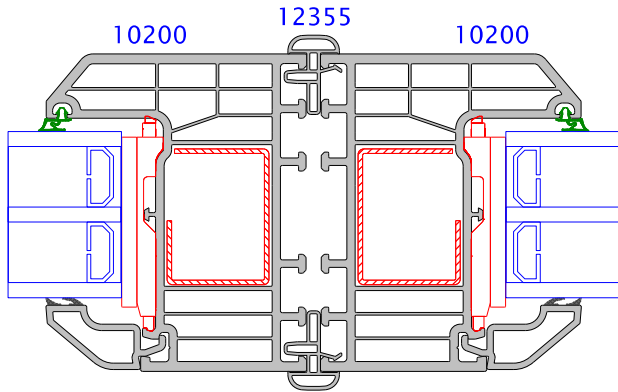
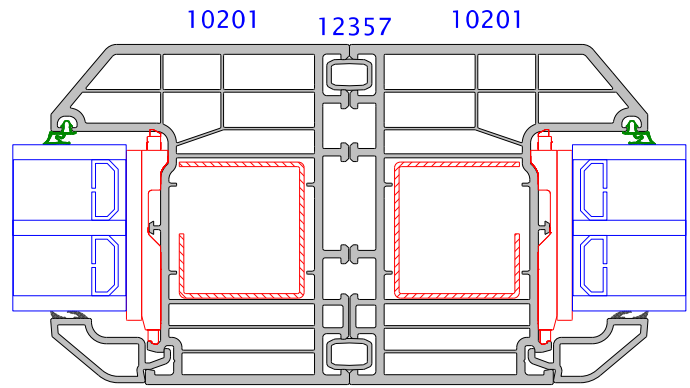
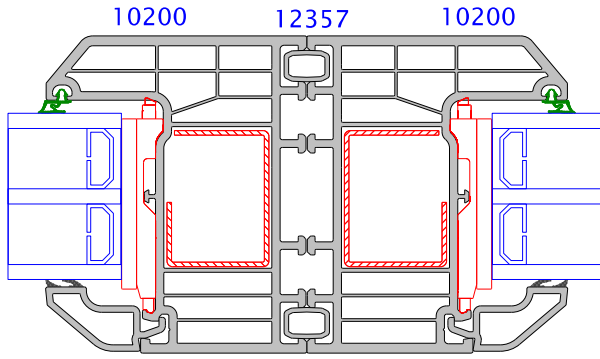
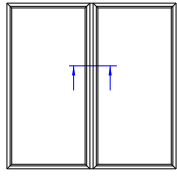


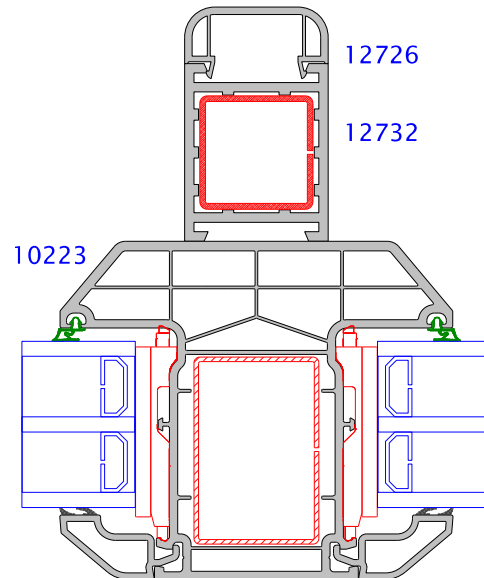
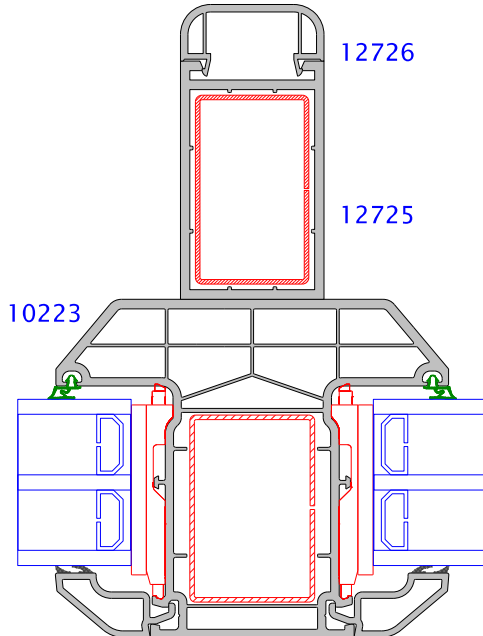
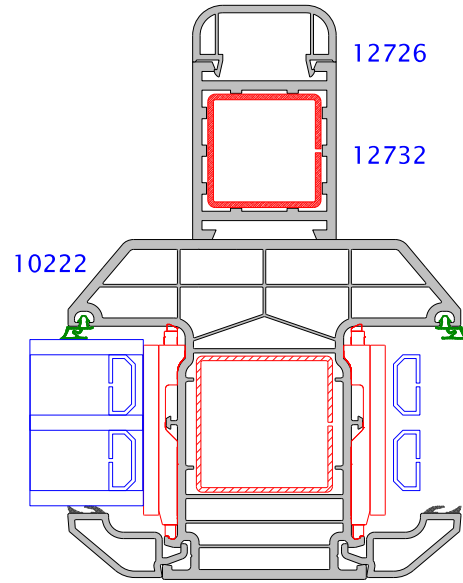
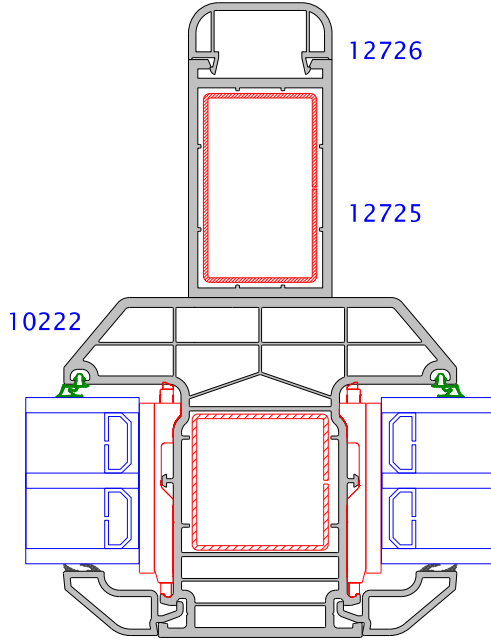
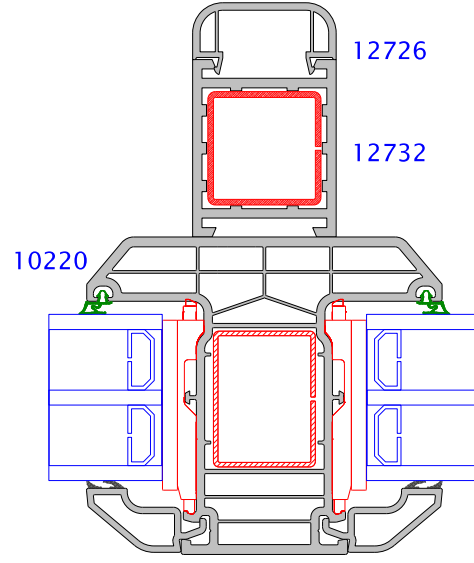
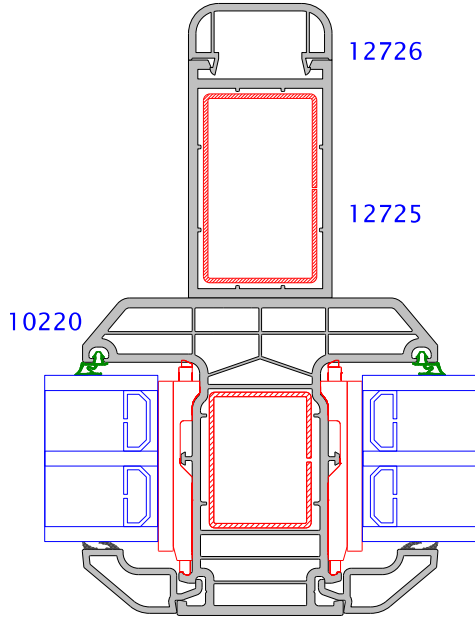


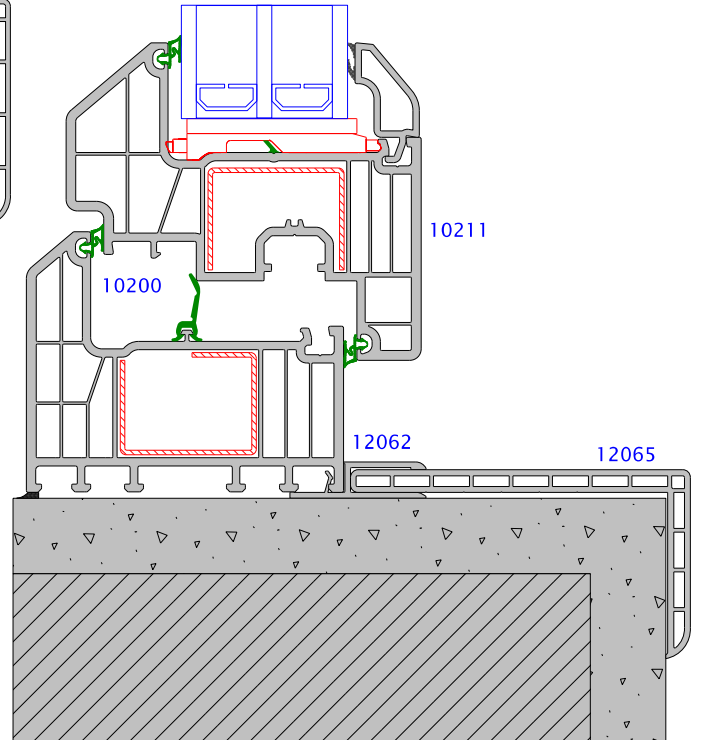
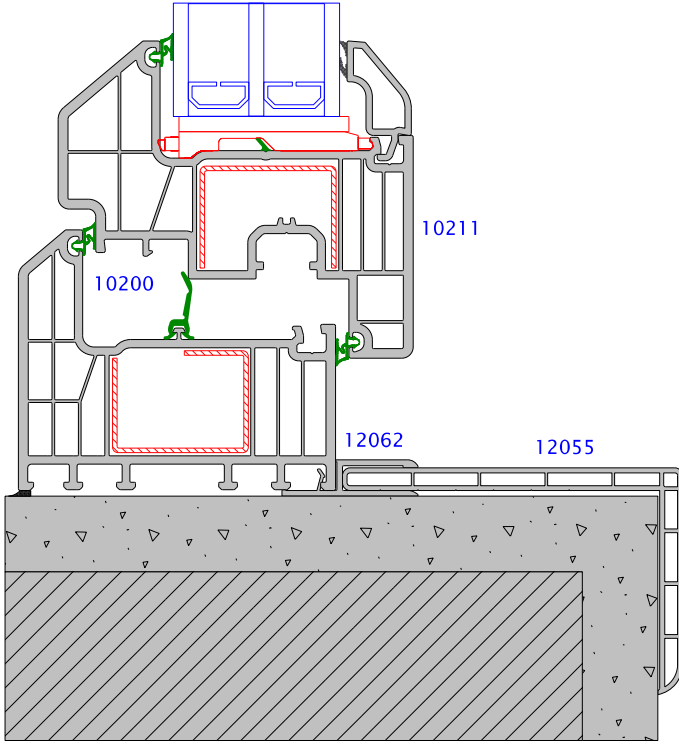
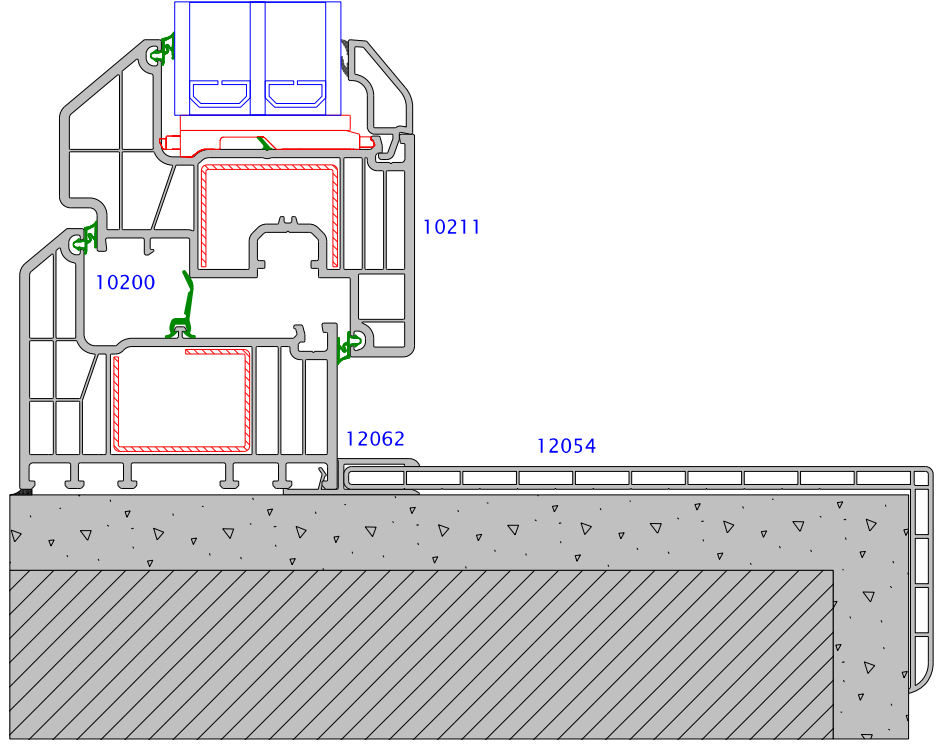
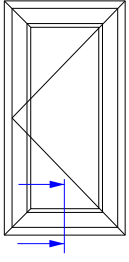


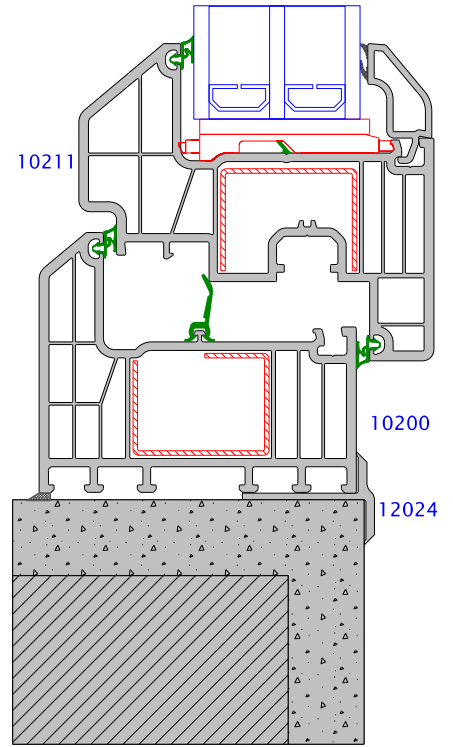
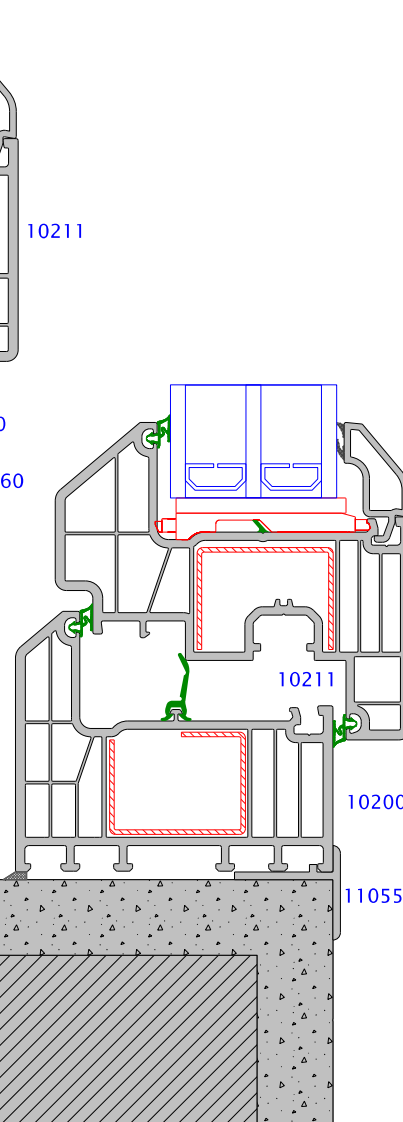
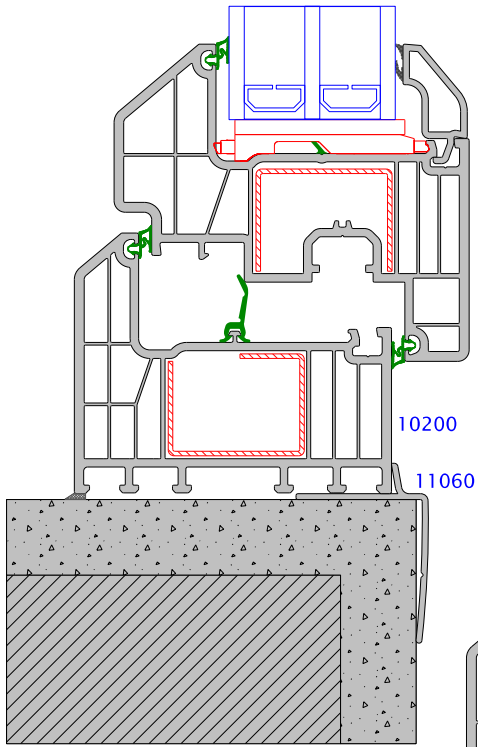
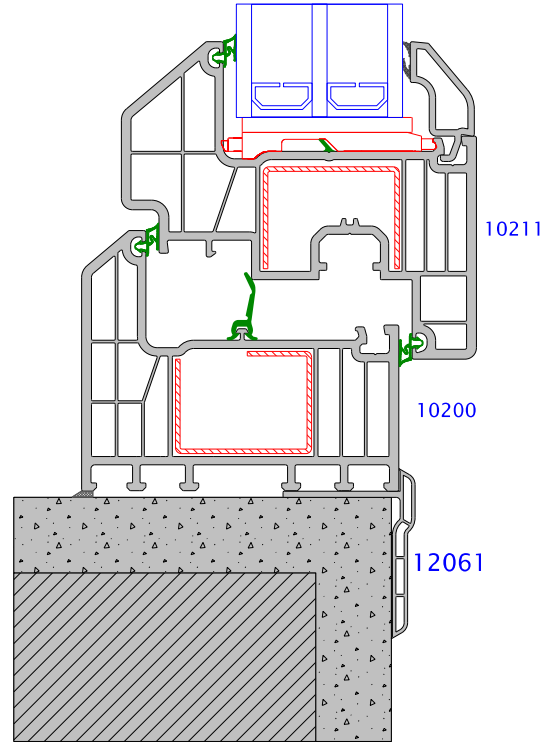
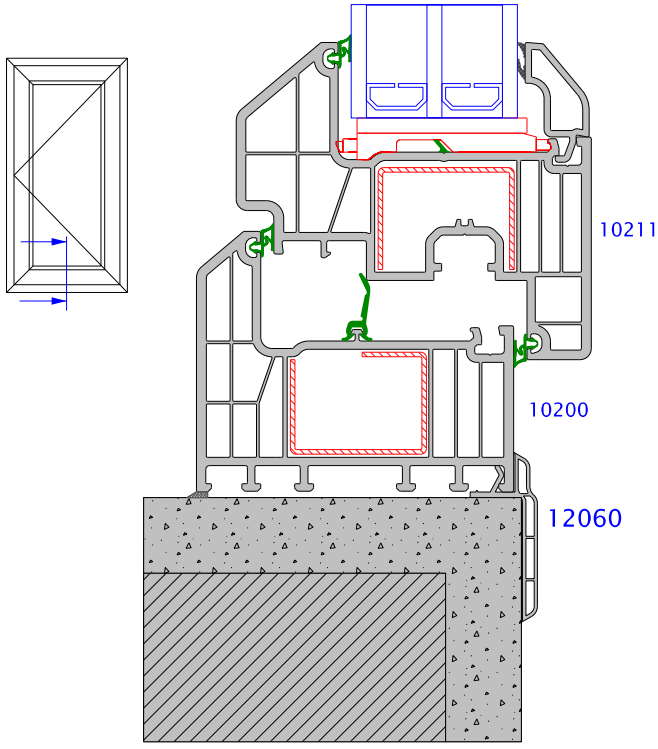


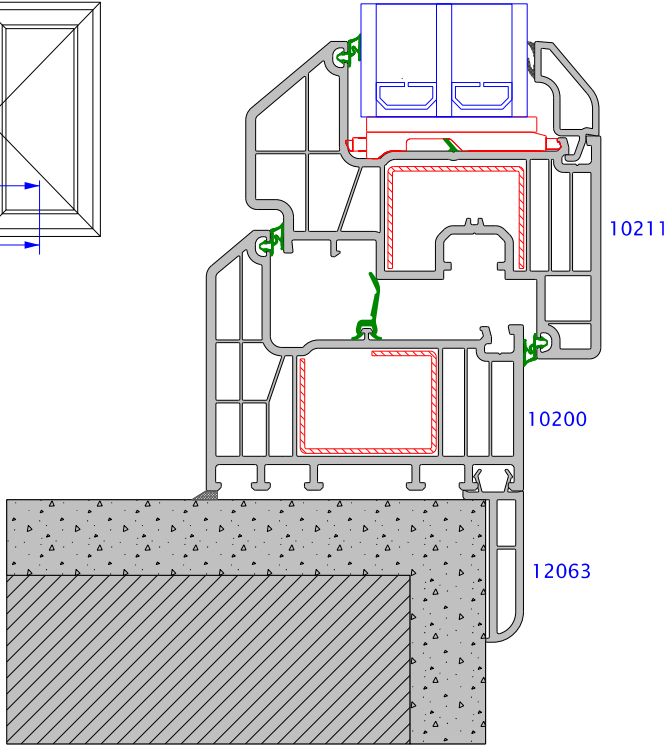
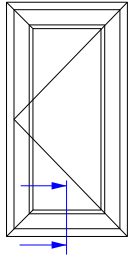








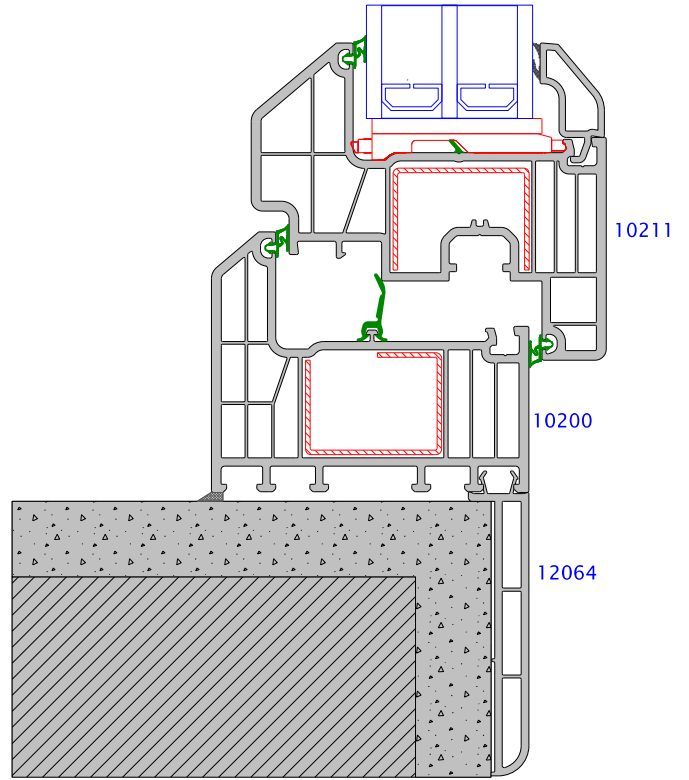




10211

10200

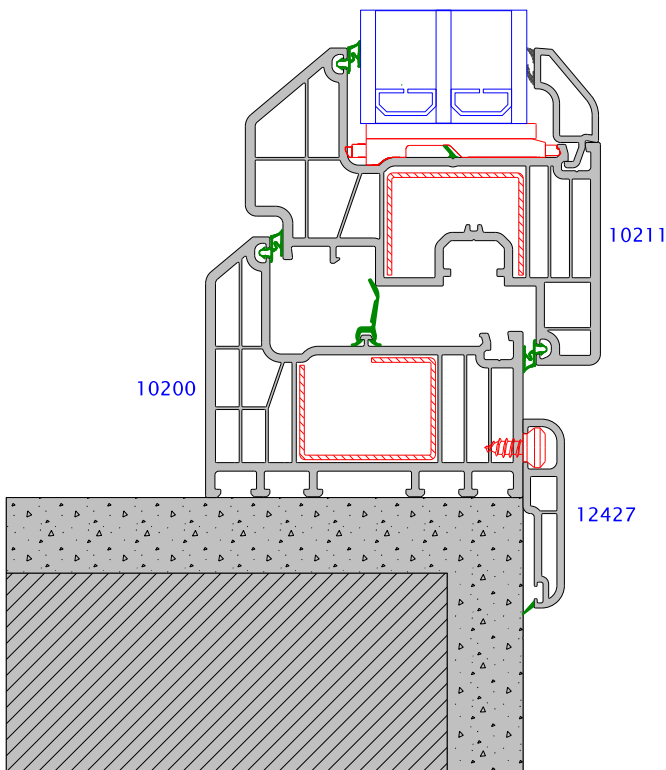
12063



10211

10200

12064



10211

10200

12427

**winsa**<sup>®</sup>  
[www.winsa.com.tr](http://www.winsa.com.tr)